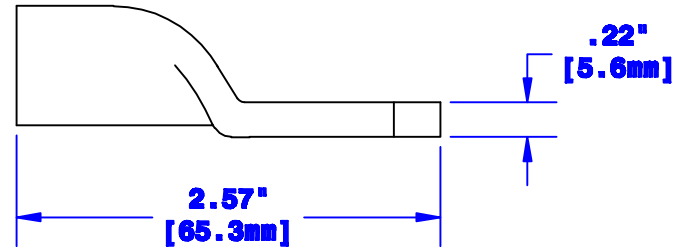
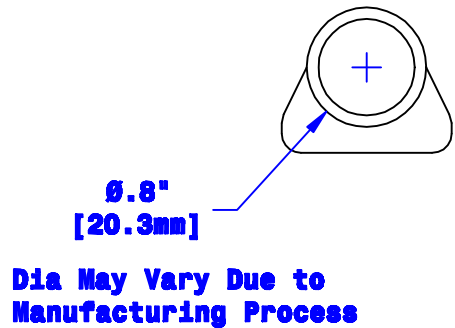
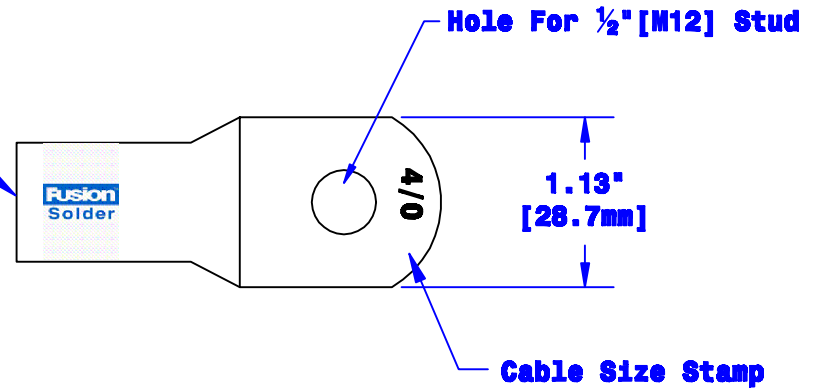


Quick Cable Reserves The Right to Alter Product Types, Their Technical Data, Dimensions, Style And Accessories Without Prior Notification.

Prefilled With Rosin & Solder
Sized for 4/0 [103mm²] Cable
3/4" [19.1mm] Min. Depth
Chamfered Lead-In, Both Ends



Property of QUICKCABLE 3700 Quick Drive Franksville, WI 53126 U.S.A. www.quickcable.com	TITLE 4/0[103mm²] Magna Lug, Fusion
	PART # 141140

Confidential and Proprietary Information

				Drawn By Paul	Date 03-12-03	Checked By Mike E	Scale None	Material & Treatment Copper Tube Tin Plated	Drawing # 141140-Info	REV B	
B	04-13-12	2450	JMM	Redrawn; printing info updated				Dimensions are reference only			
Rev	Date	ECN#	By	Description				Sheet 1 of 1			