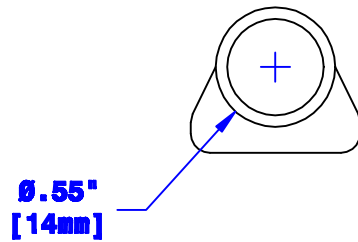
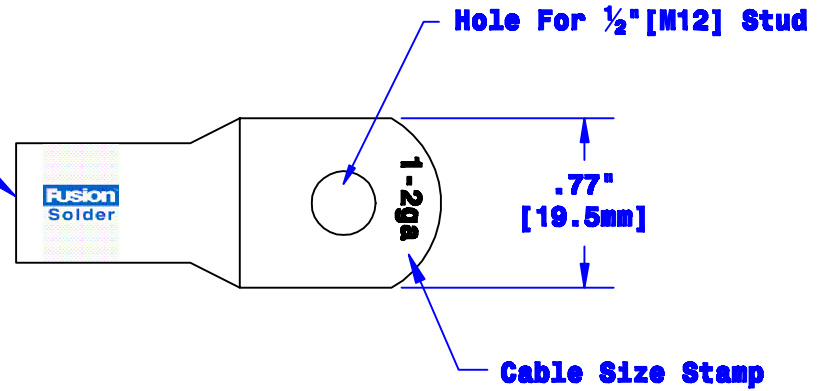
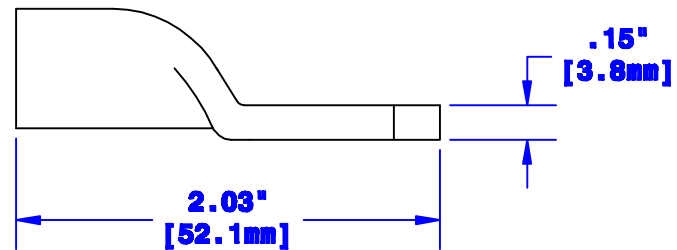


Quick Cable Reserves The Right to Alter Product Types, Their Technical Data, Dimensions, Style And Accessories Without Prior Notification.

**Prefilled With Rosin & Solder
Sized for 1-2 Ga. [40-32mm²] Cable
3/4" [19.1mm] Min. Depth
Chamfered Lead-In, Both Ends**



**Dia May Vary Due to
Manufacturing Process**



Property of QUICKCABLE® 3700 Quick Drive Frankville, WI 53126 U.S.A. www.quickcable.com	TITLE
	1&2 Ga [40-32mm²] Magna Lug, Fusion
	PART #
	141136
Confidential and Proprietary Information	

					Drawn By	Date	Checked By	Scale
					Paul	03-12-03	Mike E	None
B	04-13-12	2450	JMM	Redrawn; printing info updated	Tolerances, unless otherwise noted			
Rev	Date	ECN#	By	Description	Dimensions are reference only			

Material & Treatment Copper Tube Tin Plated	Drawing #	REV
	141136-Info	B
	Sheet 1 of 1	