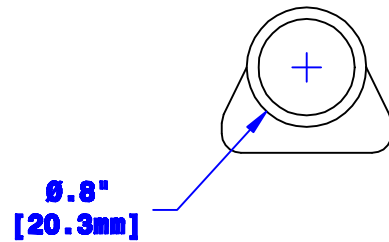
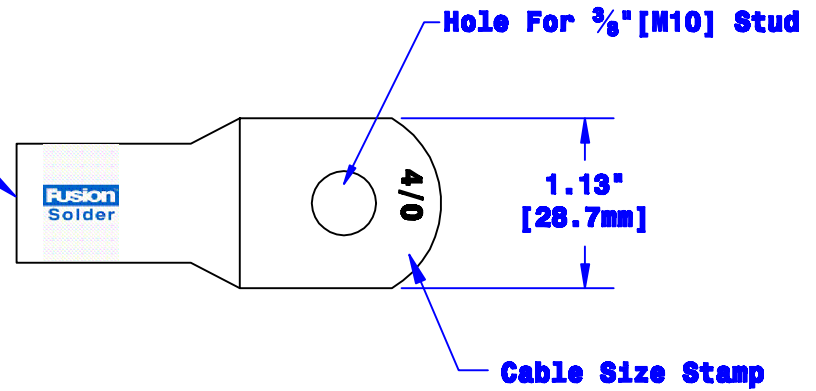
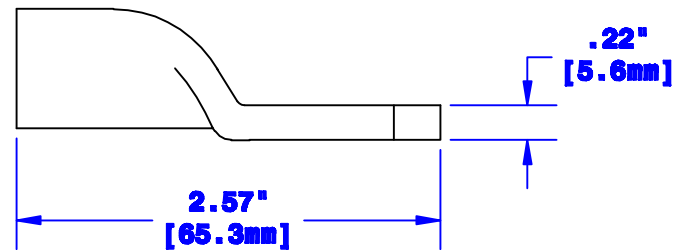


Quick Cable Reserves The Right to Alter Product Types, Their Technical Data, Dimensions, Style And Accessories Without Prior Notification.

Prefilled With Rosin & Solder
Sized for 4/0 [103mm²] Cable
3/4" [19.1mm] Min. Depth
Chamfered Lead-In, Both Ends



Dia May Vary Due to Manufacturing Process



Property of QUICKCABLE 3700 Quick Drive Franksville, WI 53126 U.S.A. www.quickcable.com	TITLE 4/0[103mm ²] Magna Lug, Fusion
	PART # 141130

Confidential and Proprietary Information

Rev	Date	ECN#	By	Description	Drawn By Paul	Date 03-12-03	Checked By Mike E	Scale None	Material & Treatment Copper Tube Tin Plated	Drawing # 141130-Info	REV B
B	04-13-12	2450	JMM	Redrawn; printing info updated	Tolerances, unless otherwise noted Dimensions are reference only					Sheet 1 of 1	