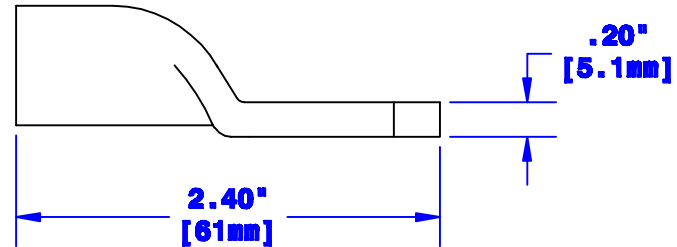
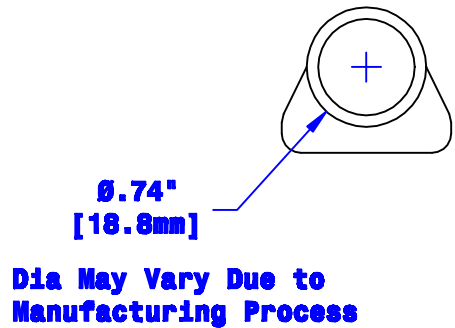
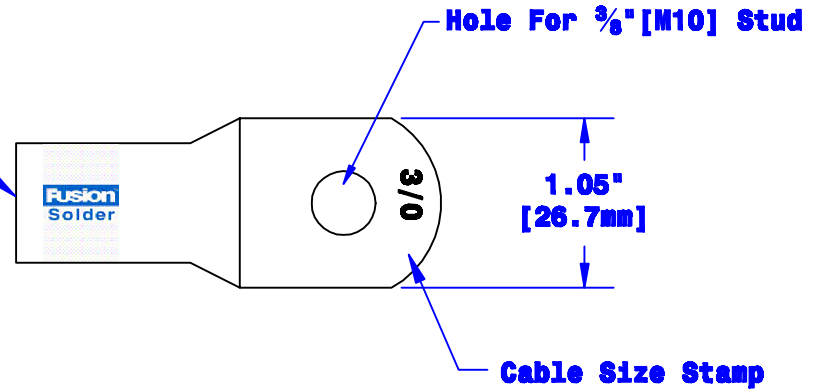


Quick Cable Reserves The Right to Alter Product Types, Their Technical Data, Dimensions, Style And Accessories Without Prior Notification.

Prefilled With Rosin & Solder
Sized for 3/0 [81mm²] Cable
3/4" [19.1mm] Min. Depth
Chamfered Lead-In, Both Ends



Property of QUICKCABLE® 3700 Quick Drive Frankville, WI 53126 U.S.A. www.quickcable.com	TITLE 3/0[81mm²] Magna Lug, Fusion
	PART # 141129
Confidential and Proprietary Information	

				Drawn By Paul	Date 03-12-03	Checked By Mike E	Scale None
B	04-13-12	2450	JMM	Redrawn; printing info updated			
Rev	Date	ECN#	By	Description			

Tolerances, unless otherwise noted
Dimensions are reference only

Material & Treatment Copper Tube Tin Plated	Drawing # 141129-Info	REV B
	Sheet 1 of 1	