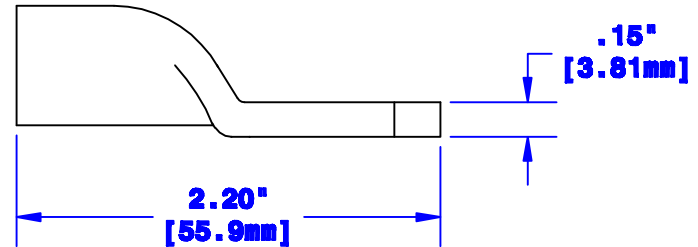
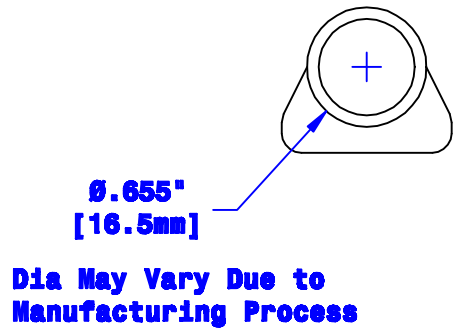
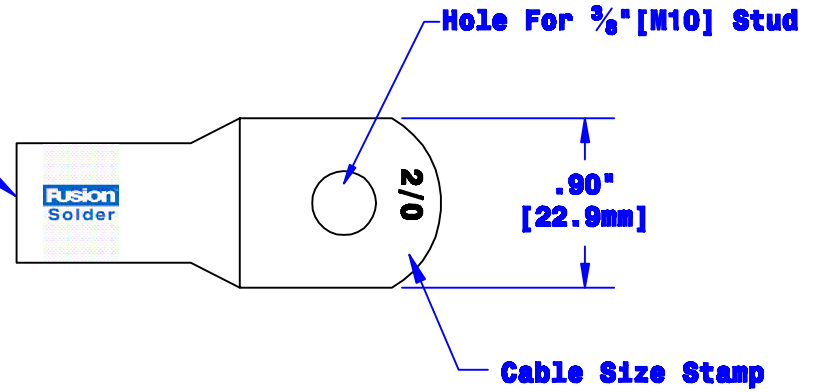


Quick Cable Reserves The Right to Alter Product Types, Their Technical Data, Dimensions, Style And Accessories Without Prior Notification.

Prefilled With Rosin & Solder
Sized for 2/0 [62mm²] Cable
3/4" [19.1mm] Min. Depth
Chamfered Lead-In, Both Ends



Property of QUICKCABLE 3700 Quick Drive Franksville, WI 53128 U.S.A. www.quickcable.com	TITLE 2/0[62mm ²] Magna Lug, Fusion
	PART # 141128

Confidential and Proprietary Information

Rev	Date	ECN#	By	Description	Drawn By Paul	Date 03-12-03	Checked By Mike E	Scale None	Material & Treatment Copper Tube Tin Plated	Drawing # 141128-Info	REV B
B	04-13-12	2450	JMM	Redrawn; printing info updated	Tolerances, unless otherwise noted Dimensions are reference only					Sheet 1 of 1	