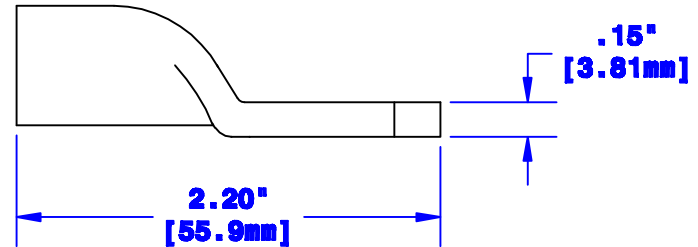
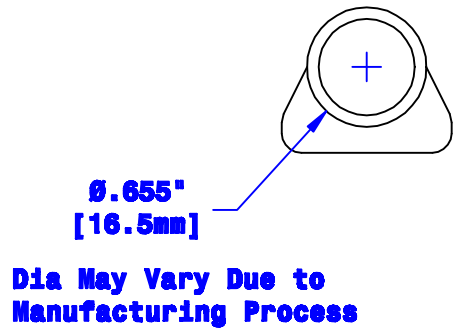
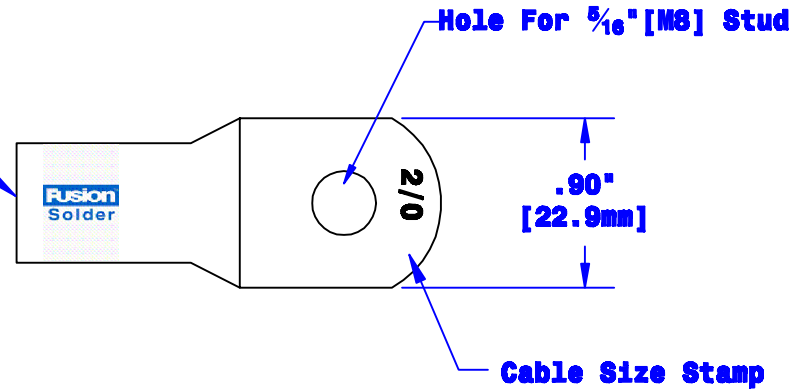


Quick Cable Reserves The Right to Alter Product Types, Their Technical Data, Dimensions, Style And Accessories Without Prior Notification.

Prefilled With Rosin & Solder
Sized for 2/0 [62mm²] Cable
3/4" [19.1mm] Min. Depth
Chamfered Lead-In, Both Ends



Property of QUICKCABLE 3700 Quick Drive Franksville, WI 53126 U.S.A. www.quickcable.com	TITLE 2/0[62mm²] Magna Lug, Fusion
	PART # 141118

Confidential and Proprietary Information

Material & Treatment Copper Tube Tin Plated	Drawing # 141118-Info	REV B
	Sheet 1 of 1	

Drawn By Paul	Date 03-12-03	Checked By Mike E	Scale None
Tolerances, unless otherwise noted Dimensions are reference only			
Rev B	Date 04-13-12	ECN# 2450	By JMM
			Description Redrawn; printing info updated