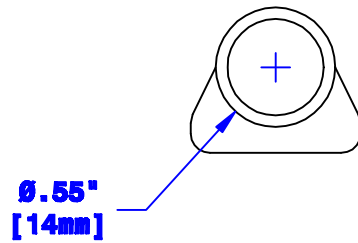
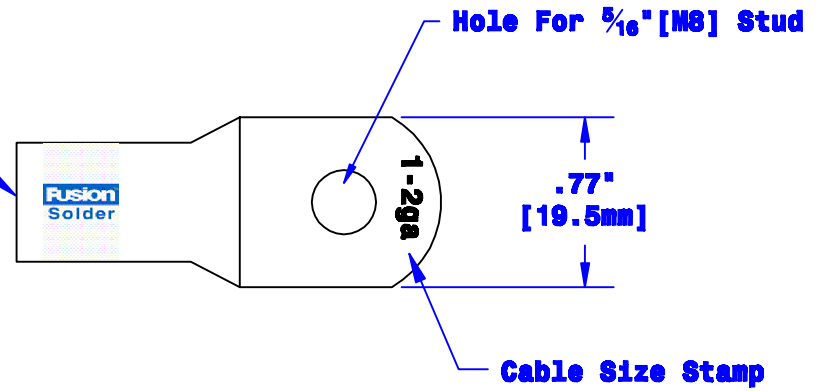
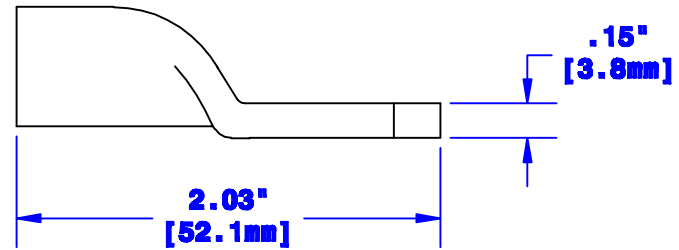


Quick Cable Reserves The Right to Alter Product Types, Their Technical Data, Dimensions, Style And Accessories Without Prior Notification.

**Prefilled With Rosin & Solder
Sized for 1-2 Ga. [40-32mm²] Cable
3/4" [19.1mm] Min. Depth
Chamfered Lead-In, Both Ends**



Dia May Vary Due to Manufacturing Process



Property of QUICKCABLE 3700 Quick Drive Franksville, WI 53126 U.S.A. www.quickcable.com	TITLE 1&2 Ga [40-32mm²] Magna Lug, Fusion
	PART # 141116
Confidential and Proprietary Information	

					Drawn By Paul	Date 03-12-03	Checked By Mike E	Scale None
B	04-13-12	2450	JMM	Redrawn; printing info updated	Tolerances, unless otherwise noted Dimensions are reference only			
Rev	Date	ECN#	By	Description				

Material & Treatment Copper Tube Tin Plated	Drawing # 141116-Info	REV B
Sheet 1 of 1		