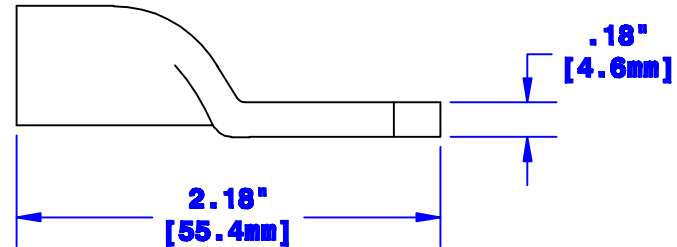
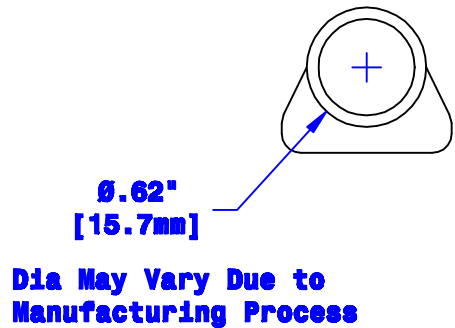
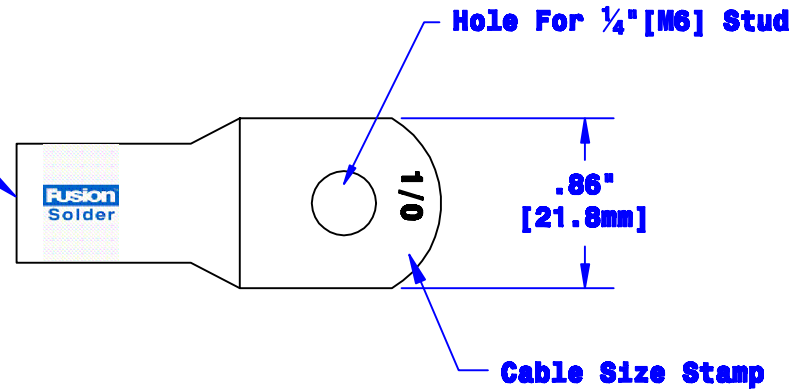


Quick Cable Reserves The Right to Alter Product Types, Their Technical Data, Dimensions, Style And Accessories Without Prior Notification.

Prefilled With Rosin & Solder  
Sized for 1/0 [50mm<sup>2</sup>] Cable  
3/4" [19.1mm] Min. Depth  
Chamfered Lead-In, Both Ends



Property of <b>QUICKCABLE</b> 3700 Quick Drive Franksville, WI 53126 U.S.A. www.quickcable.com	TITLE <b>1/0[50mm<sup>2</sup>] Magna Lug, Fusion</b>
	PART # <b>141107</b>

**Confidential and Proprietary Information**

				Drawn By <b>Paul</b>	Date <b>03-12-03</b>	Checked By <b>Mike E</b>	Scale <b>None</b>
<b>B</b>	<b>04-13-12</b>	<b>2450</b>	<b>JMM</b>	<b>Redrawn; printing info updated</b>			
Rev	Date	ECN#	By	Description			

Tolerances, unless otherwise noted  
**Dimensions are reference only**

Material & Treatment <b>Copper Tube Tin Plated</b>	Drawing # <b>141107-Info</b>	REV <b>B</b>
Sheet <b>1</b> of <b>1</b>		