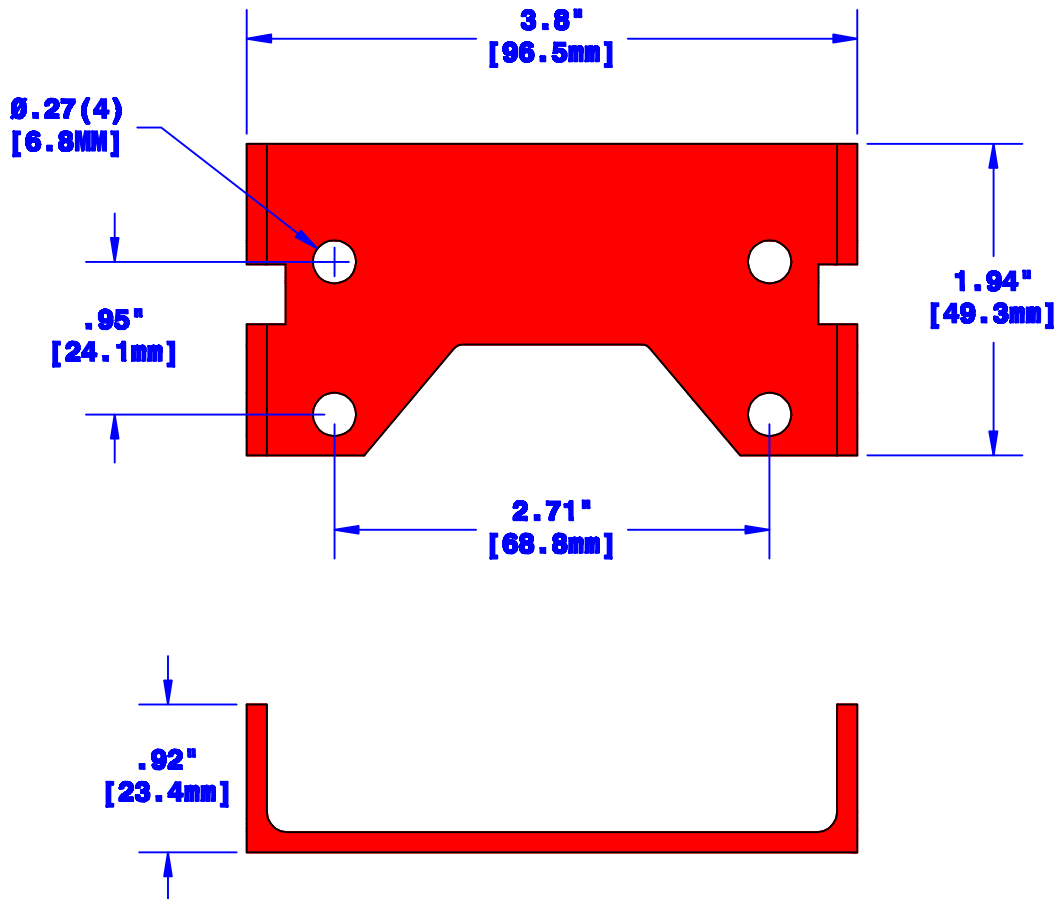


Quick Cable Reserves The Right to Alter Product Type, Their Technical Data, Dimensions, Style And Accessories without Prior Notification.



**NOTE: Mounting Hardware Included  
Use With Manual Release Lever P/N 127204  
(Not Included)**

Property of <b>QUICKCABLE</b> 3700 Quick Drive Franksville, WI 53126 U.S.A. www.quickcable.com		TITLE <b>320 Amp DIN Battery Bracket</b>
		PART # <b>127203</b>
<b>Confidential and Proprietary Information</b>		
Material & Treatment <b>1/8" Thk. Steel Red Powder Coated</b>	Drawing # <b>127203-Info</b>	REV
		Sheet <b>1</b> of <b>1</b>

Rev	Date	ECN#	By	Description	Drawn By <b>Jim H</b>	Date <b>05-06-10</b>	Checked By <b>Mike E</b>	Scale <b>None</b>
					Tolerances, unless otherwise noted <b>Dimensions are reference only</b>			