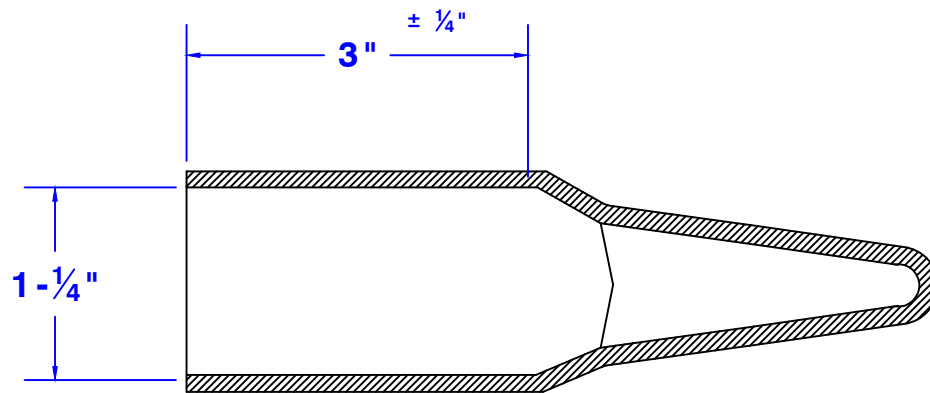
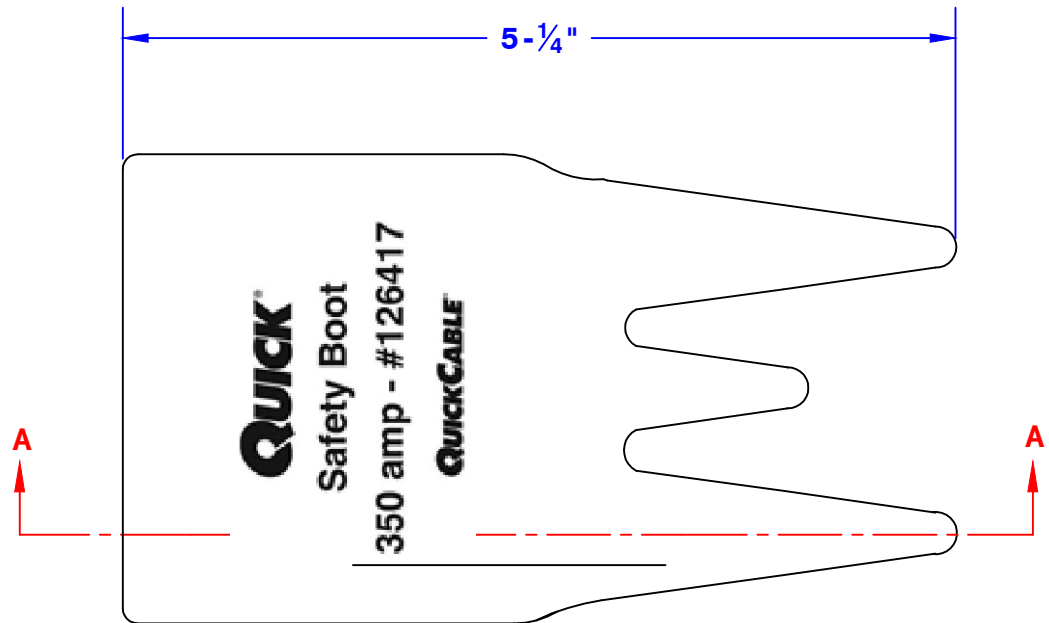
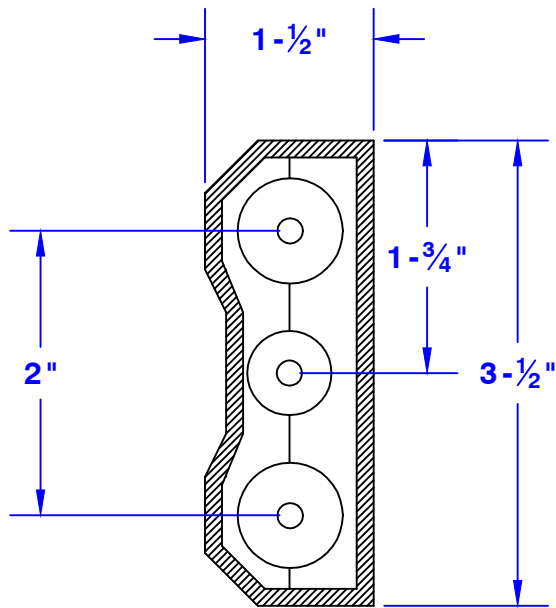


Quick Cable Reserves The Right to Alter Product Types, Their Technical Data, Dimensions, Style And Accessories without Prior Notification.



**Section "A-A"**

**Note: Average Wall .10**

Property of <b>QUICKCABLE®</b> 3700 Quick Drive Franksville, WI 53126 U.S.A. www.quickcable.com	TITLE
	<b>Safety Boot 350 Amp</b>
	PART #
	<b>126417</b>

**Confidential and Proprietary Information**

Material & Treatment	Drawing #	REV
<b>Liquid Vinyl Plastisol</b>	<b>126417-Info</b>	<b>A</b>
	Sheet 1	Of 1

Drawn By	Date	Checked By	Scale	
<b>Jim H</b>	<b>11-17-10</b>	<b>Mike E</b>	<b>None</b>	
Tolerances, unless otherwise noted				
<b>Dimensions are reference only</b>				
Rev	Date	ECN#	By	Description
<b>A</b>	<b>11-11-14</b>	<b>3128</b>	<b>MRE</b>	<b>Updated Printing</b>