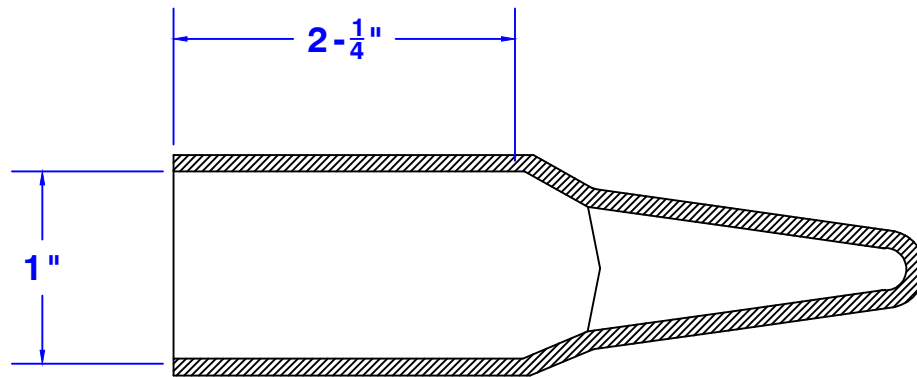
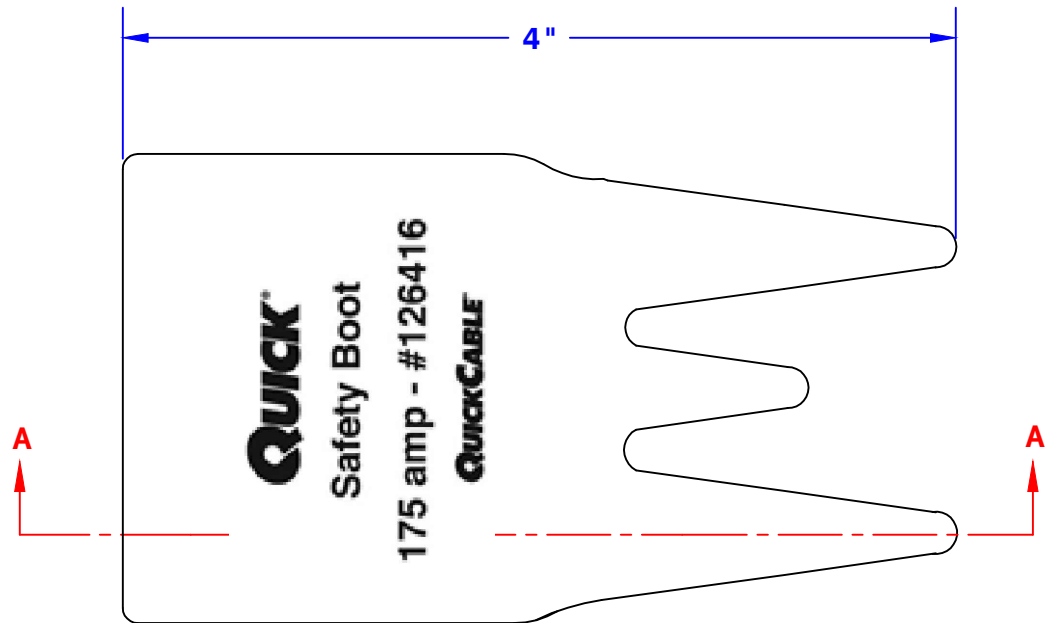
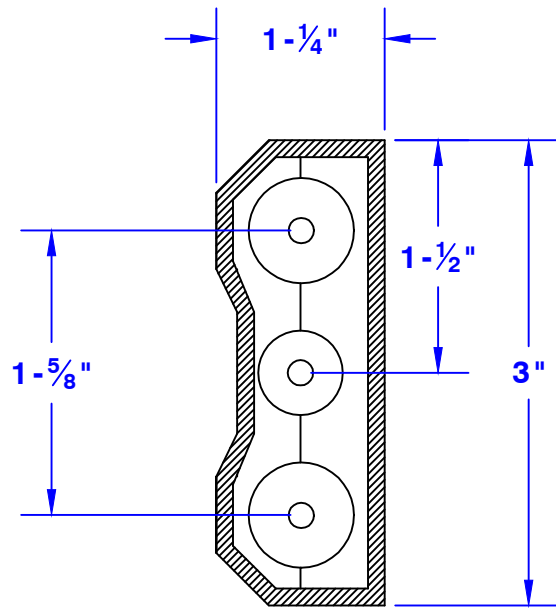


Quick Cable Reserves The Right to Alter Product Types, Their Technical Data, Dimensions, Style And Accessories without Prior Notification.



Section "A-A"

Average Wall .10"

Property of QUICKCABLE 3700 Quick Drive Franksville, WI 53126 U.S.A. www.quickcable.com	TITLE Safety Boot 175 Amp PART # 126416
---	--

Confidential and Proprietary Information

Material & Treatment Liquid Vinyl Plastisol	Drawing # 126416-Info	REV A
Sheet 1 Of 1		

Drawn By Jim H	Date 11-17-10	Checked By Mike E	Scale None
Tolerances, unless otherwise noted			
Dimensions are reference only			
Rev A	Date 11-11-14	ECN# 3128	By MRE
Description Updated Printing			