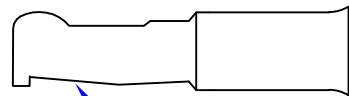
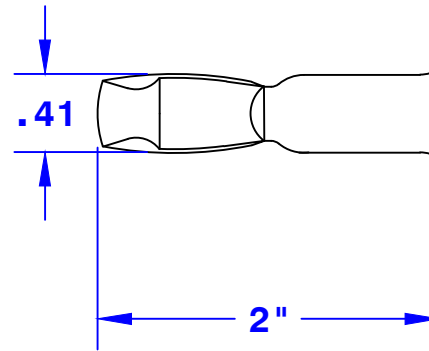


Quick Cable Reserves The Right to Alter Product Types, Their Technical Data, Dimensions, Style And Accesories without Prior Notification.



Stamped as  
SB/PP  
120  
4



Sized For 4 Ga. Cable  
Cable Strip Length to be 1/2"

SB<sup>®</sup>, SBX<sup>®</sup>, and PowerPole<sup>®</sup> is a Registered Trademark of Anderson Power Products, Inc.

Property of <b>QUICKCABLE<sup>®</sup></b> 3700 Quick Drive Franksville, WI 53126 U.S.A. www.quickcable.com		TITLE Power Pole <sup>®</sup> Contact 120 Amp, 4 Ga.
		PART # <b>123143</b>
<b>Confidential and Proprietary Information</b>		
Material & Treatment <b>Solid Copper Silver Plated</b>	Drawing # <b>123143-Info</b>	REV <b>A</b>
		Sheet <b>1</b> Of <b>1</b>

				Drawn By <b>Jim H</b>	Date <b>01-12-11</b>	Checked By <b>Mike E</b>	Scale <b>None</b>
				Tolerances, unless otherwise noted			
<b>A</b>	11-17-14	3131	GCV	Add Trademark info			
Rev	Date	ECN#	By	Description			

Dimensions are reference only