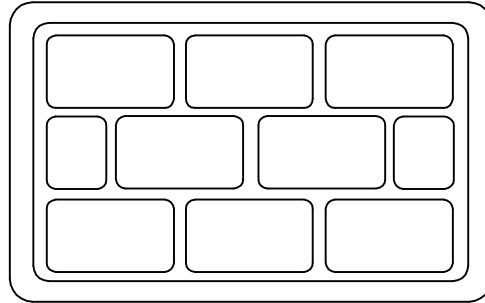
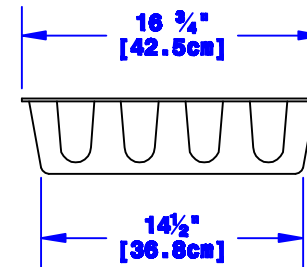
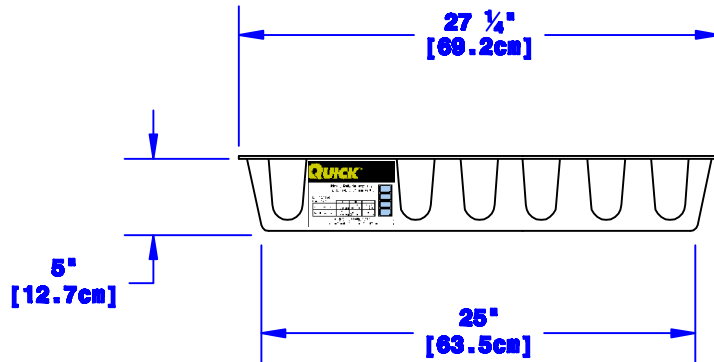


Quick Cable Reserves The Right to Alter Product Types, Their Technical Data, Dimensions, Style And Accessories Without Prior Notification.



Ⓐ **Inside Dimensions:**  
 $24\frac{5}{8}'' \times 14'' \times 4\frac{3}{4}''$   
 $[62.6\text{cm} \times 35.6\text{cm} \times 12\text{cm}]$   
**Wall Thickness =  $\frac{3}{16}''$  [4.8mm]**



<b>Property of</b> <b>QUICKCABLE®</b> 3700 Quick Drive Franksville, WI 53126 U.S.A. www.quickcable.com	<b>TITLE</b> <b>Battery Tray</b> <b>Fits Rack</b> <b>990182</b>
	<b>PART #</b> <b>120221</b>
<b>Confidential and Proprietary Information</b>	
<b>Material &amp; Treatment</b> <b>HMW PE, Black</b> <b>Haircell Finish</b> <b>Outside Only</b>	<b>Drawing #</b> <b>120221-Info</b>  <b>REV</b> <b>A</b>
<b>Sheet 1 of 1</b>	

					<b>Drawn By</b> <b>Jim H</b>	<b>Date</b> <b>04-15-11</b>	<b>Checked By</b> <b>Mike E</b>	<b>Scale</b> <b>None</b>
<b>Rev</b>	<b>Date</b>	<b>ECN#</b>	<b>By</b>	<b>Description</b>	<b>Tolerances, unless otherwise noted</b> <b>Dimensions are reference only</b>			
<b>A</b>	<b>07-21-11</b>	<b>2358</b>	<b>JMH</b>	<b>Revised dimensions</b>				