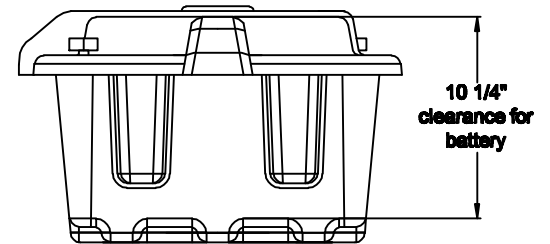
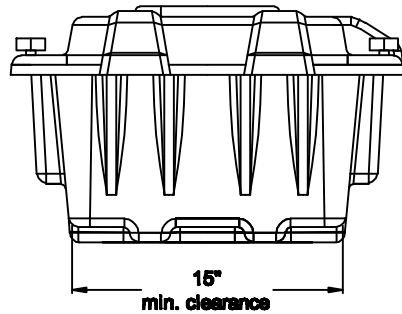
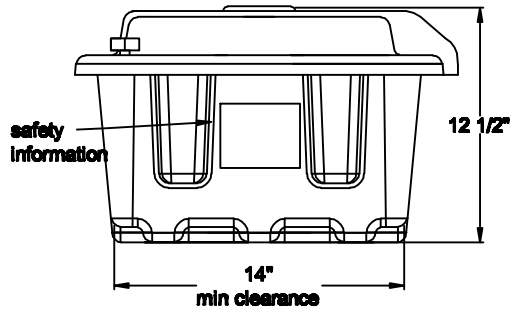
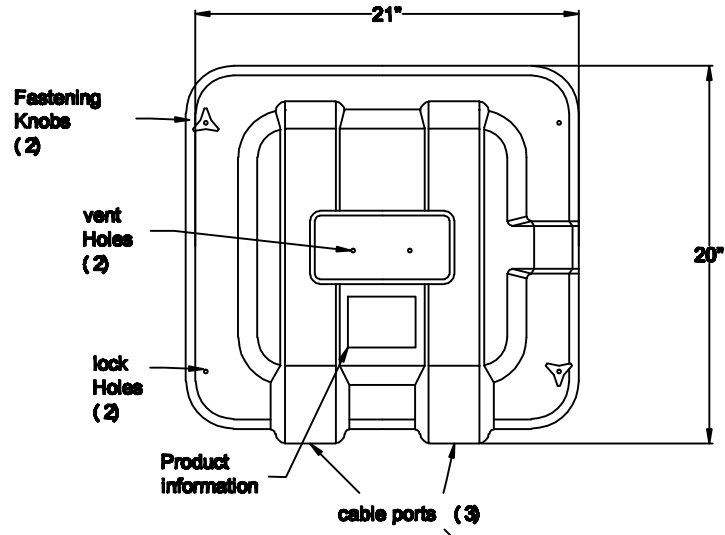


Quick Cable Reserves The Right to Alter Product Types, Their Technical Data, Dimensions, Style And Accessories without Prior Notification.



Property of QUICKCABLE® 3700 Quick Drive Franksville, WI 53126 U.S.A. www.quickcable.com	TITLE
	Group 27/31 Side by Side
	PART #
	120215

Confidential and Proprietary Information

Material & Treatment Black Polyethylene HMWPE	Drawing #	REV
	120215-Info	A
Sheet 1 of 1		

Rev	Date	ECN#	By	Description	Drawn By	Date	Checked By	Scale
A	10-9-12	2682	BS	Updated to reflect mold revision removed 1 label	Bill S	6-19-12	Mike E	None
					Tolerances, unless otherwise noted Dimensions are reference only			