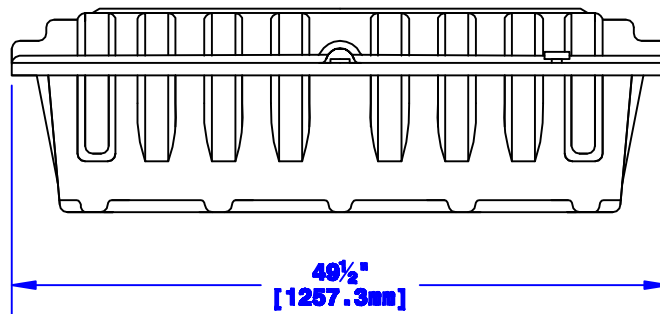
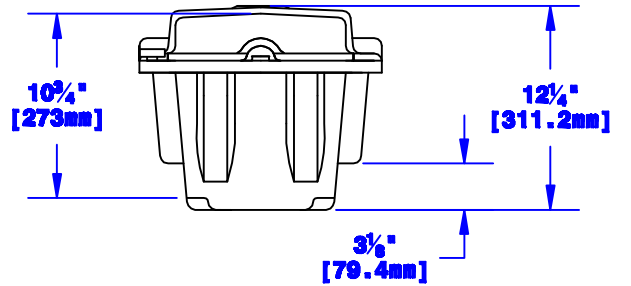
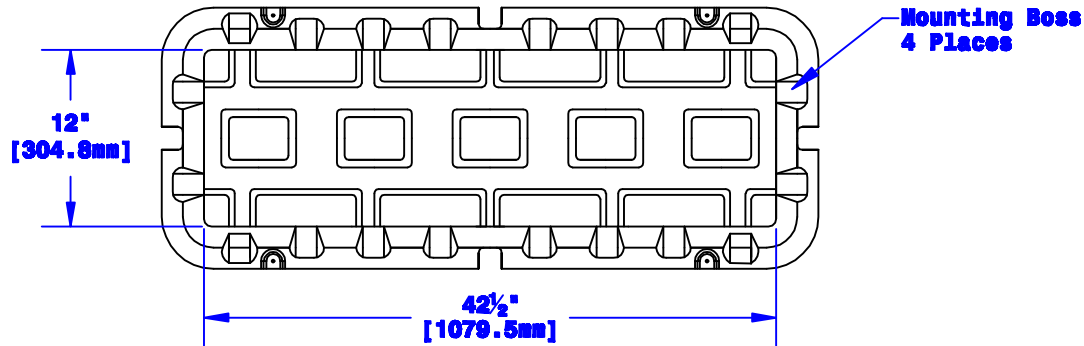
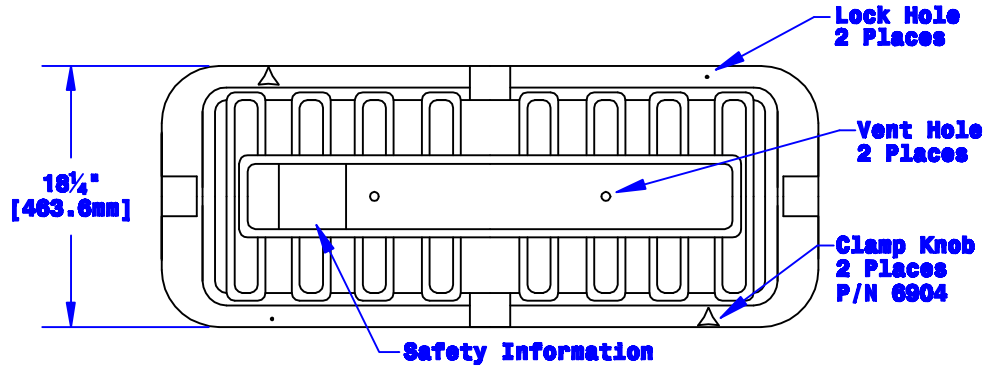


Quick Cable Reserves The Right to Alter Product Type, Their Technical Data, Dimensions, Style And Accessories without Prior Notification.



<b>Property of</b> <b>QUICKCABLE®</b> 3700 Quick Drive Franksville, WI 53126 U.S.A. www.quickcable.com	TITLE
	<b>Battery Box 8D End to End</b>
	PART #
	<b>120167</b>
<b>Confidential and Proprietary Information</b>	
Material & Treatment	Drawing #
<b>Black Polyethylene (HDPE)</b>	<b>120167-Info</b>
	REV
	Sheet 1 of 1

Rev	Date	ECN#	By	Description	Drawn By	Date	Checked By	Scale
					Bill S	02-07-11	Mike E	None
					Tolerances, unless otherwise noted			
					Dimensions are reference only			