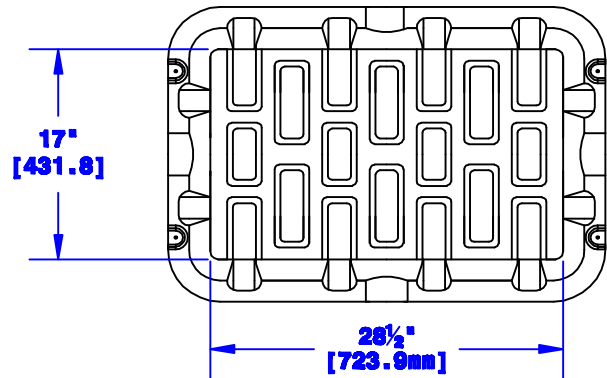
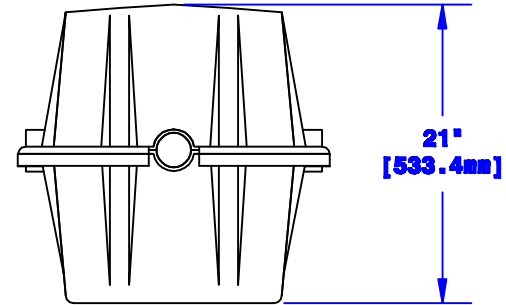
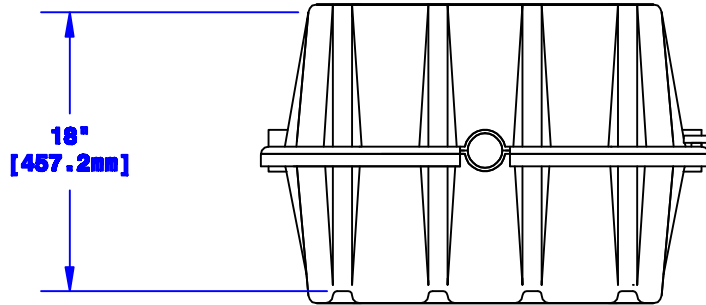
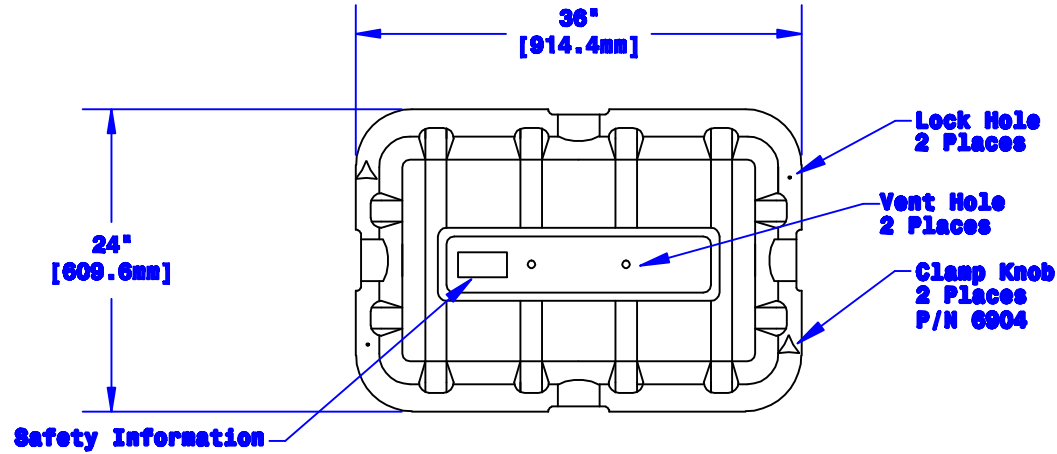


Quick Cable Reserves The Right to Alter Product Types, Their Technical Data, Dimensions, Style And Accessories without Prior Notification.



| | |
|---|--|
| Property of QUICKCABLE® 3700 Quick Drive Franksville, WI 53126 U.S.A. www.quickcable.com | TITLE |
| | Battery Box 4 L16 Batteries |
| | PART # |
| | 120166 |

Confidential and Proprietary Information

| | | | | | | | | |
|-----|------|------|----|-------------|------------------------------------|-----------------|---------------|-------------|
| Rev | Date | ECN# | By | Description | Drawn By | Date | Checked By | Scale |
| | | | | | Bill S | 02-07-11 | Mike E | None |
| | | | | | Tolerances, unless otherwise noted | | | |
| | | | | | Dimensions are reference only | | | |

| | | |
|---|--------------------|-----|
| Material & Treatment Black Polyethylene (HDPE) | Drawing # | REV |
| | 120166-Info | |
| Sheet 1 of 1 | | |