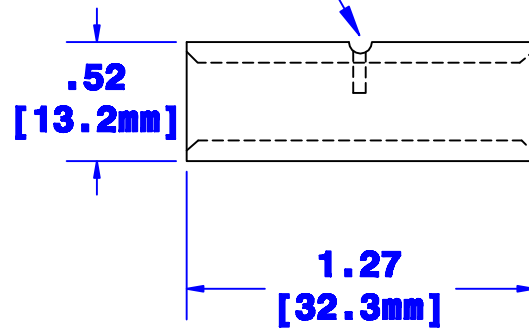


**Feature: Single Indentation to  
Serve as Cable Stop**

**Sized for 2 Ga. [32mm<sup>2</sup>] Cable**



Property of <b>QUICK CABLE</b>		TITLE <b>Butt Splice, 2 Ga. [32mm<sup>2</sup>] Non-Insulated</b>	
3700 Quick Dr. Frankville WI		PART # <b>107244</b>	
Material & Treatment <b>Copper Tin Plated</b>		Drawing # <b>107244-Info</b>	REV
Tolerances, unless otherwise noted Dimensions are reference only		Sheet 1 of 1	

Rev	Date	ECN#	By	Description	Drawn By	Date	Checked By	Scale
					<b>Josh</b>	<b>3-10-05</b>	<b>Jim H</b>	<b>None</b>