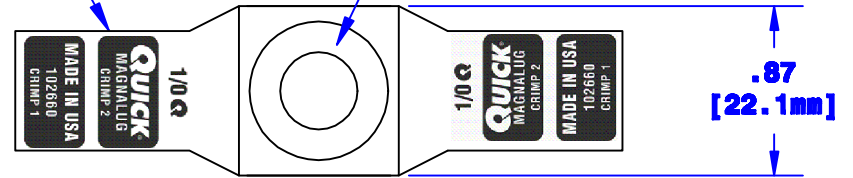


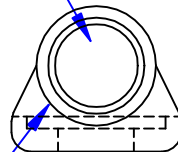
Quick Cable Reserves The Right to Alter Product Types, Their Technical Data, Dimensions, Style And Accessories Without Prior Notification.

Crimp Information Both Ends

Hole For 3/8" [M10] Stud

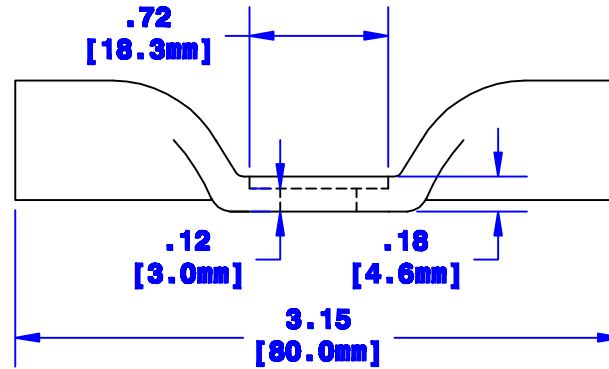


ID Sized For 1/0 [50mm²] Stranded Cable
3/4" [19.1mm] Min Depth



Ø.62" [15.7mm]

Dia. May Vary Due to Manufacturing Process



Property of QUICKCABLE®		TITLE 1/0 [50mm²] Magna Lug, Retro Fit
3700 Quick Drive Franksville, WI 53128 U.S.A. www.quickcable.com		PART # 102660
Confidential and Proprietary Information		
Material & Treatment Copper Tube Tin Plated	Drawing # 102660-INFO	REV B
		Sheet 1 of 1

Drawn By MEF	Date 01-09-03	Checked By RAH	Scale None
Tolerances, unless otherwise noted Dimensions are reference only			
B	04-12-12	2450	JMM
Rev	Date	ECN#	By
			Description
			Redrawn; printing info updated