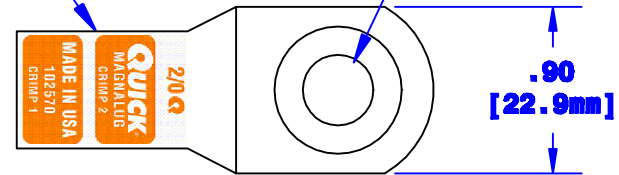


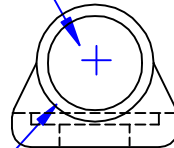
Quick Cable Reserves The Right to Alter Product Type, Their Technical Data, Dimensions, Style And Accessories Without Prior Notification.

**Crimp Information**

**Hole For 3/8" [M10] Stud**

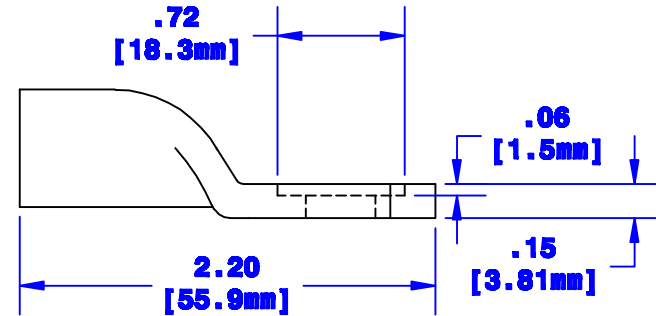


**ID Sized For 2/0 [62mm<sup>2</sup>] Stranded Cable  
3/4" [19.1mm] Min Depth**



**Ø.655" [16.5mm]**

**Dia May Vary Due to Manufacturing Process**



<b>Property of</b> <b>QUICKCABLE®</b> 3700 Quick Drive Franksville, WI 53126 U.S.A. www.quickcable.com	<b>TITLE</b> <b>2/0 [62mm<sup>2</sup>]          Magna Lug,          Retro Fit</b>
	<b>PART #</b> <b>102570</b>

**Confidential and Proprietary Information**

					<b>Drawn By</b> MEF	<b>Date</b> 01-09-03	<b>Checked By</b> RAH	<b>Scale</b> None	<b>Material &amp; Treatment</b> Copper Tube Tin Plated	<b>Drawing #</b> 102570-Info	<b>REV</b> B
<b>Rev</b>	<b>Date</b>	<b>ECN#</b>	<b>By</b>	<b>Description</b>	<b>Tolerances, unless otherwise noted</b>				<b>Dimensions are reference only</b>		
B	01-30-12	2450	JMM	Redrawn; printing info updated					Sheet 1 of 1		