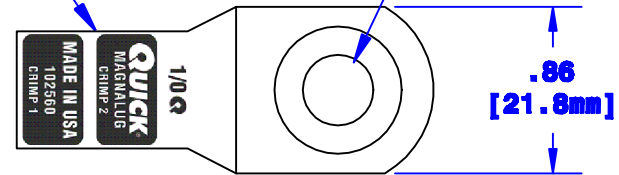


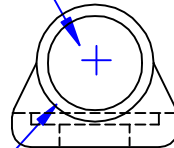
Quick Cable Reserves The Right to Alter Product Type, Their Technical Data, Dimensions, Style And Accessories Without Prior Notification.

Crimp Information

Hole For 3/8" [M10] Stud

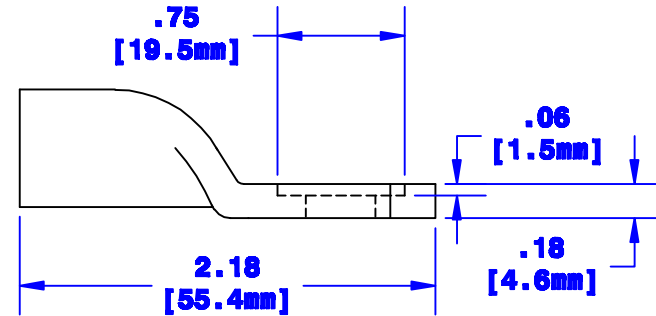


**ID Sized For 1/0 [50mm²] Stranded Cable
3/4" [19.1mm] Min Depth**



Ø.62" [15.7mm]

Dia May Vary Due to Manufacturing Process



Property of QUICKCABLE® 3700 Quick Drive Franksville, WI 53126 U.S.A. www.quickcable.com	TITLE 1/0 [50mm²] Magna Lug, Retro Fit
	PART # 102560

Confidential and Proprietary Information

					Drawn By MEF	Date 01-09-03	Checked By RAH	Scale None	Material & Treatment Copper Tube Tin Plated	Drawing # 102560-Info	REV C
Rev	Date	ECN#	By	Description	Tolerances, unless otherwise noted Dimensions are reference only				Sheet 1 of 1		
C	01-30-12	2450	JMM	Redrawn; printing info updated							