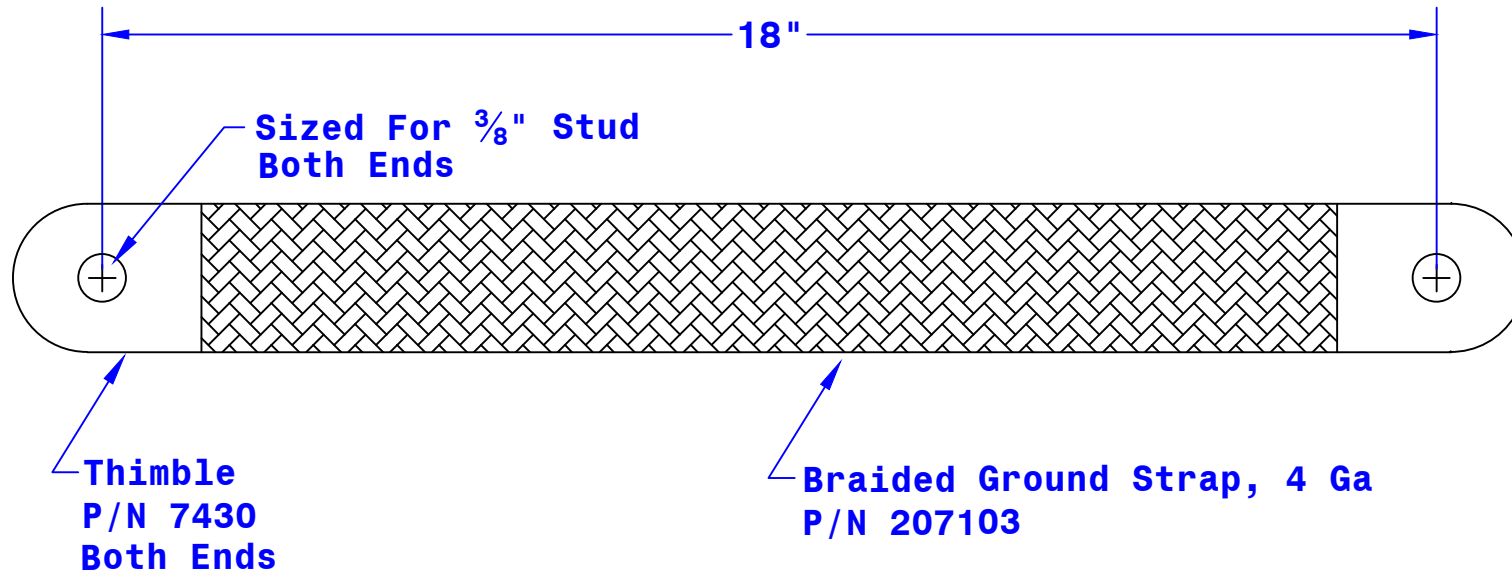


Quick Cable Reserves The Right to Alter Product Types, Their Technical Data, Dimensions, Style And Accessories without Prior Notification.



Note: Solder Dip After Punching

RoHs Compliant

Property of <b>QUICKCABLE</b> <sup>®</sup> 3700 Quick Drive Franksville, WI 53126 U.S.A. www.quickcable.com	TITLE	
	Lug to Lug Braided Ground Strap	
	PART #	
	7404	
Confidential and Proprietary Information		
Material & Treatment	Drawing #	REV
	7404-Info	
	Sheet 1	Of 1

				Drawn By	Date	Checked By	Scale
				Jim H	08-17-11	Mike E	None
				Tolerances, unless otherwise noted			
Rev	Date	ECN#	By	Length to be $\pm \frac{1}{2}$ "			
				Description			