

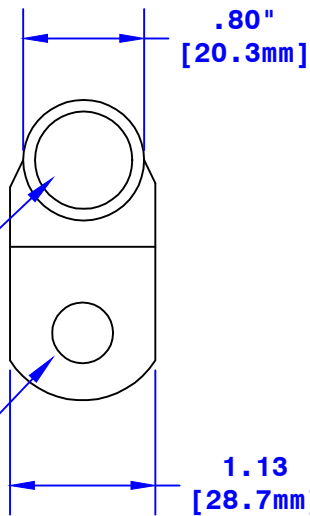
Quick Cable Reserves The Right to Alter Product Types, Their Technical Data, Dimensions, Style And Accessories Without Prior Notification.

Printed Crimp Information

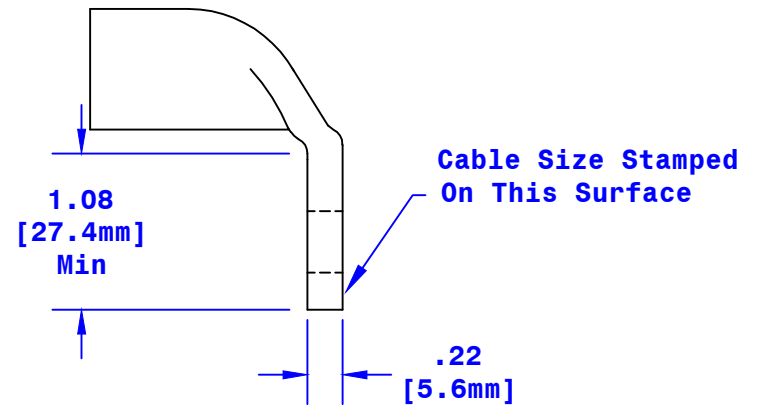


ID Sized For 4/0 [103mm²] Stranded Cable
3/4" [19mm] Min Depth

Hole Sized For 1/2" [M12] Stud



Dia May Vary Due to Manufacturing Process



Property of QUICKCABLE 3700 Quick Drive Franksville, WI 53126 U.S.A. www.quickcable.com	TITLE	4/0 Ga [103mm ²] 90° 1/2" [M12] Hole
	PART #	6440HL
Confidential and Proprietary Information		
Material & Treatment Copper Tube Tin Plated	Drawing #	6440HL-Info
	Sheet	1 of 1
		REV B

Rev	Date	ECN#	By	Description	Drawn By	Date	Checked By	Scale
B	04-10-12	2459	JMH	Redrawn; printing info updated	Kirk A	10-24-07	Mike E	None
					Tolerances, unless otherwise noted			
					Dimensions are reference only			