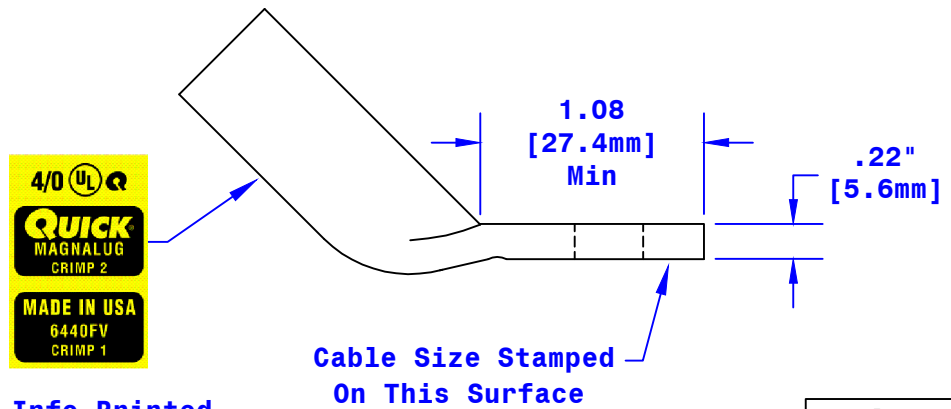
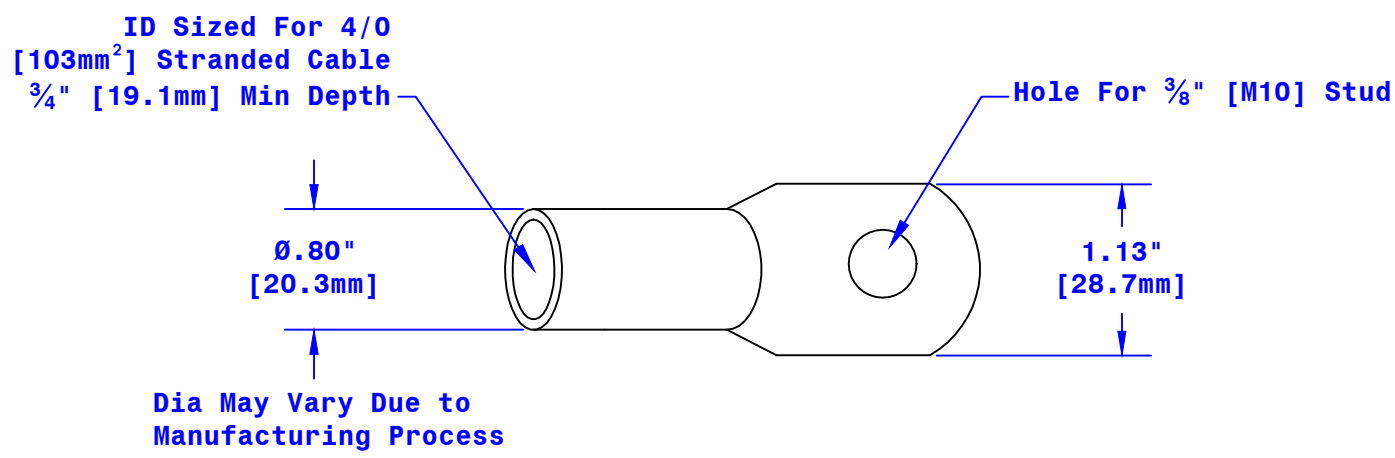


Quick Cable Reserves The Right to Alter Product Types, Their Technical Data, Dimensions, Style And Accessories Without Prior Notification.



Crimp Info Printed On This Surface

Property of QUICKCABLE 3700 Quick Drive Franksville, WI 53126 U.S.A. www.quickcable.com	TITLE
	4/0 [103mm ²]Magna Lug 45° 3/8" [M10] Stud
	PART #
	6440FV

Confidential and Proprietary Information

					Drawn By	Date	Checked By	Scale
					Bill S	08-22-08	Mike E	None
					Tolerances, unless otherwise noted			
					Dimensions are reference only			
A	04-02-12	2459	JMH	Redrawn; printing info updated				
Rev	Date	ECN#	By	Description				

Material & Treatment	Drawing #	REV
Copper Tube Tin Plated	6440FV-Info	A
	Sheet 1 of 1	