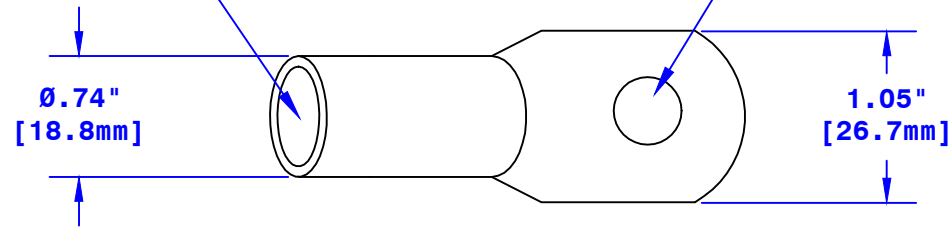


Quick Cable Reserves The Right to Alter Product Types, Their Technical Data, Dimensions, Style And Accessories Without Prior Notification.

ID Sized For 3/0 [81mm<sup>2</sup>] Stranded Cable  
 3/4" [19.1mm] Min Depth

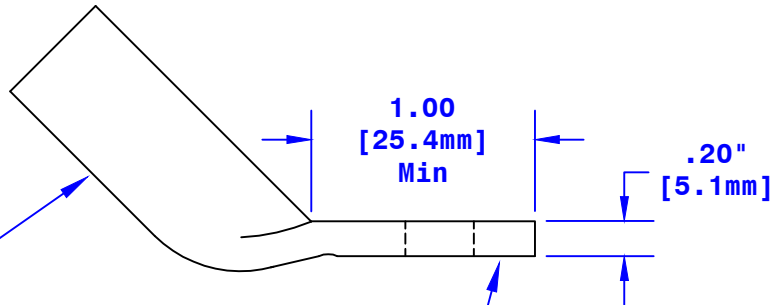
Hole For 1/2" [M12] Stud



Dia May Vary Due to Manufacturing Process



Crimp Info Printed On This Surface



Cable Size Stamped On This Surface

Property of <b>QUICKCABLE</b> 3700 Quick Drive Franksville, WI 53126 U.S.A. www.quickcable.com	TITLE 3/0 [81mm <sup>2</sup> ]Magna Lug 45° 1/2" [M12] Stud
	PART # <b>6430HV</b>

Confidential and Proprietary Information

					Drawn By <b>Bill S</b>	Date <b>08-22-08</b>	Checked By <b>Mike E</b>	Scale <b>None</b>	Material & Treatment <b>Copper Tube Tin Plated</b>	Drawing # <b>6430HV-Info</b>	REV <b>A</b>
					Tolerances, unless otherwise noted				Sheet <b>1</b> of <b>1</b>		
<b>A</b>	04-02-12	2459	JMH	Redrawn; printing info updated	<b>Dimensions are reference only</b>						
Rev	Date	ECN#	By	Description							