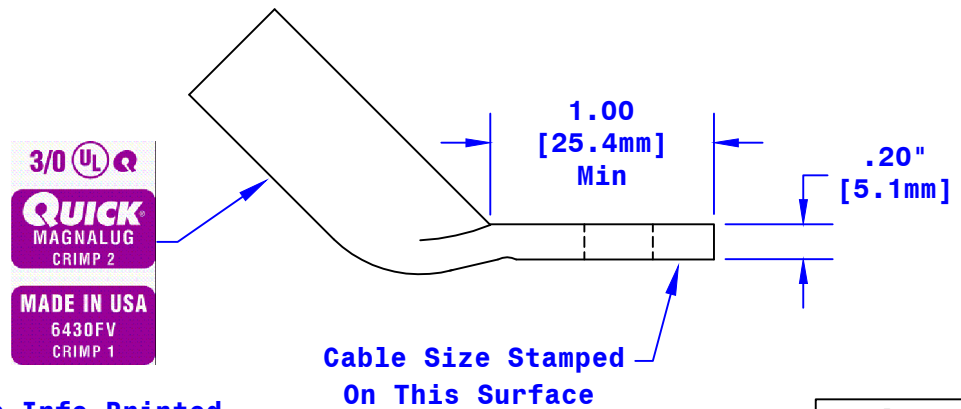
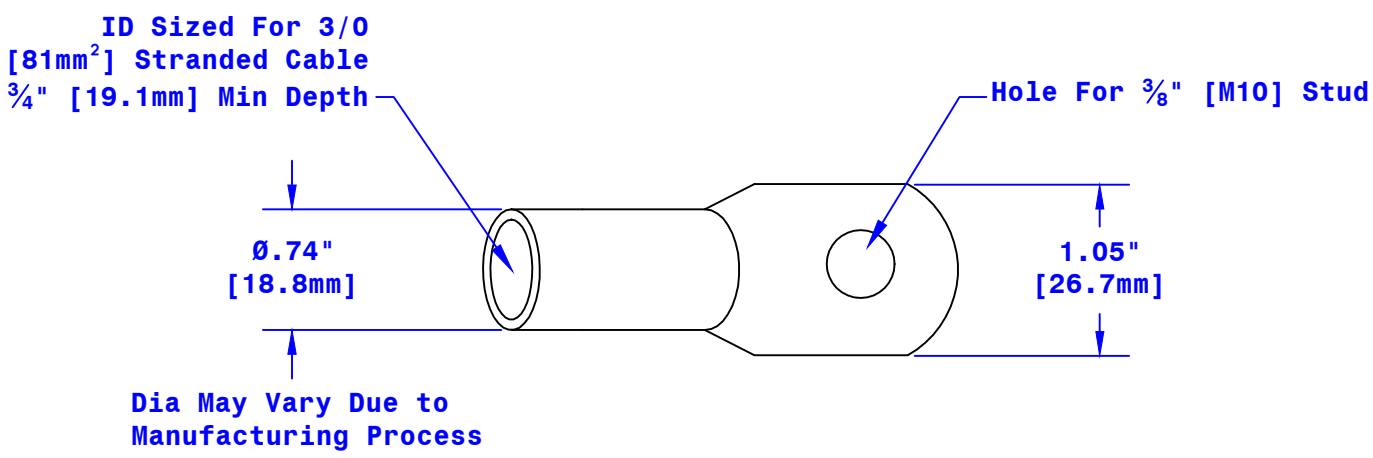


Quick Cable Reserves The Right to Alter Product Types, Their Technical Data, Dimensions, Style And Accessories Without Prior Notification.



Crimp Info Printed On This Surface

Property of QUICKCABLE 3700 Quick Drive Franksville, WI 53126 U.S.A. www.quickcable.com	TITLE
	3/0 [81mm²]Magna Lug 45° 3/8" [M10] Stud
	PART #
	6430FV

Confidential and Proprietary Information

Rev	Date	ECN#	By	Description
A	04-02-12	2459	JMH	Redrawn; printing info updated

Drawn By	Date	Checked By	Scale
Bill S	08-22-08	Mike E	None
Tolerances, unless otherwise noted			
Dimensions are reference only			

Material & Treatment	Drawing #	REV
Copper Tube Tin Plated	6430FV-Info	A
Sheet 1 of 1		