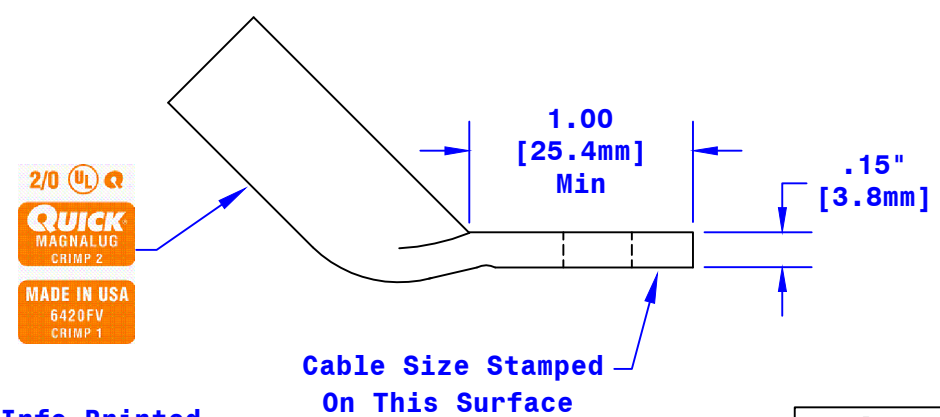
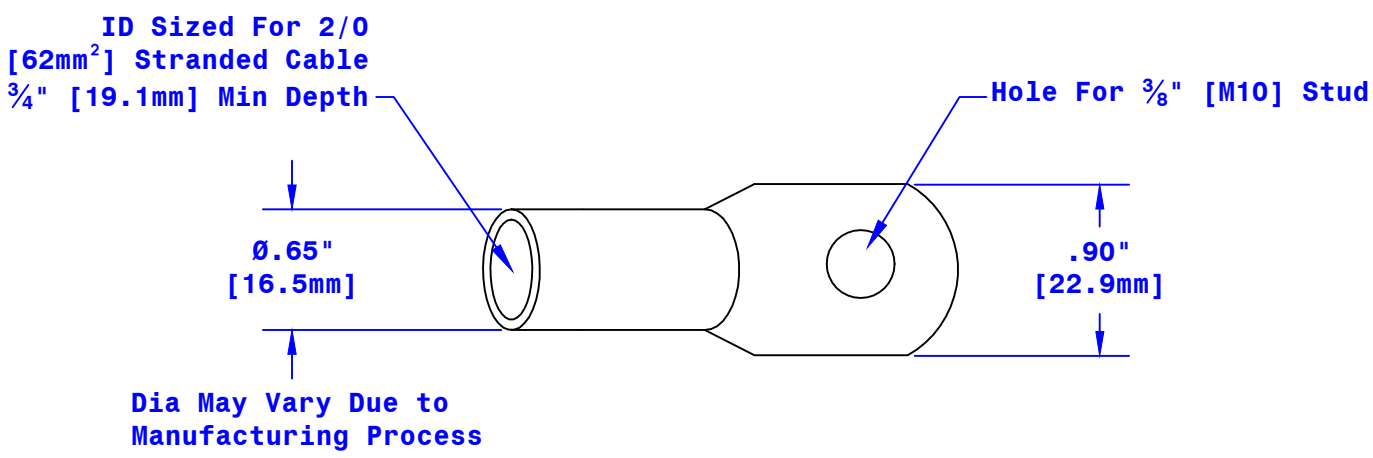


Quick Cable Reserves The Right to Alter Product Types, Their Technical Data, Dimensions, Style And Accessories Without Prior Notification.



Crimp Info Printed On This Surface

Property of QUICKCABLE 3700 Quick Drive Franksville, WI 53126 U.S.A. www.quickcable.com	TITLE 2/0 [62mm ²]Magna Lug 45° 3/8" [M10] Stud
	PART # 6420FV

Confidential and Proprietary Information

					Drawn By Bill S	Date 08-22-08	Checked By Mike E	Scale None	Material & Treatment Copper Tube Tin Plated	Drawing # 6420FV-Info	REV A
A	04-02-12	2459	JMH	Redrawn; printing info updated	Tolerances, unless otherwise noted Dimensions are reference only					Sheet 1 of 1	
Rev	Date	ECN#	By	Description							