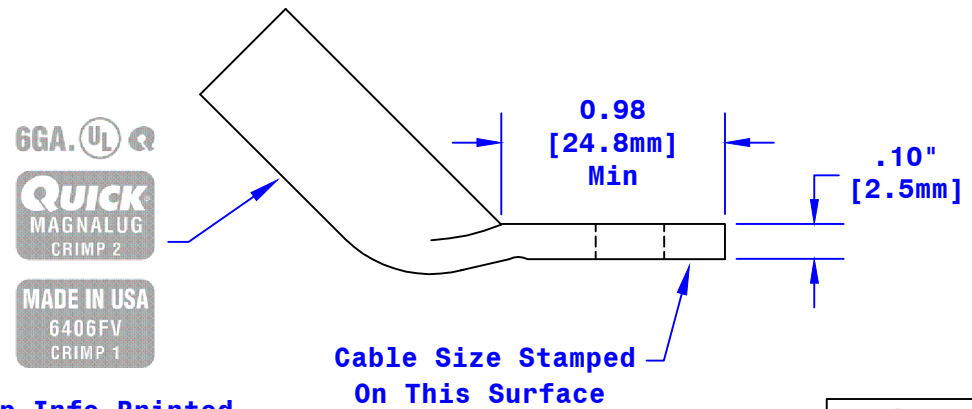
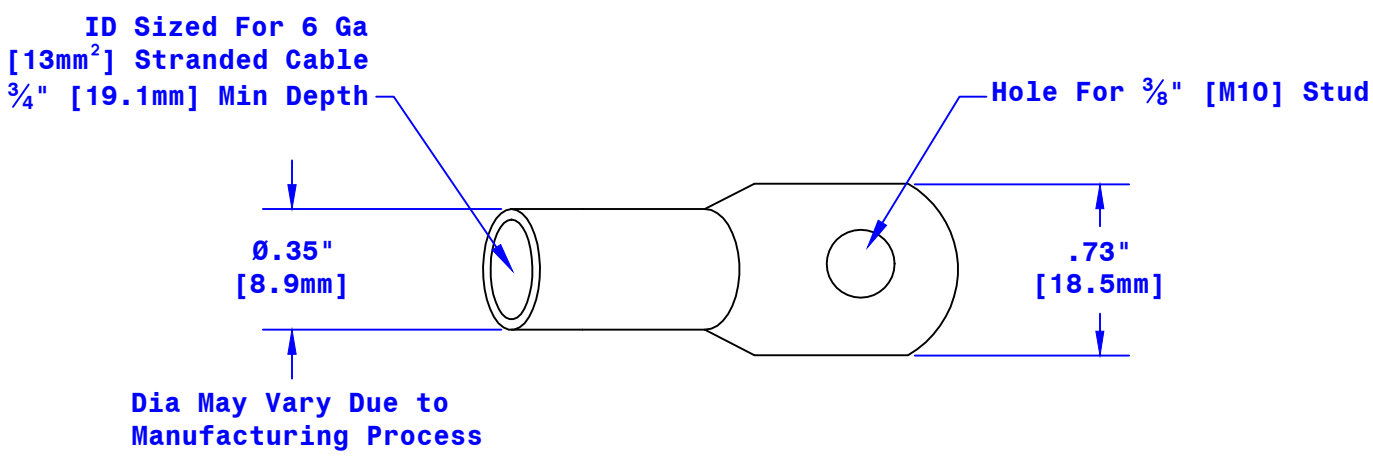


Quick Cable Reserves The Right to Alter Product Types, Their Technical Data, Dimensions, Style And Accessories Without Prior Notification.



Crimp Info Printed On This Surface

| | |
|---|---|
| Property of QUICKCABLE 3700 Quick Drive Franksville, WI 53126 U.S.A. www.quickcable.com | TITLE |
| | 6 Ga. [13mm ²] Magna Lug 45° 3/8" [M10] Stud |
| | PART # |
| | 6406FV |

Confidential and Proprietary Information

| | | | | | | | | |
|-----|----------|------|-----|--------------------------------|------------------------------------|----------|------------|-------|
| | | | | | Drawn By | Date | Checked By | Scale |
| | | | | | Bill S | 08-22-08 | Mike E | None |
| | | | | | Tolerances, unless otherwise noted | | | |
| | | | | | Dimensions are reference only | | | |
| Rev | Date | ECN# | By | Description | | | | |
| A | 04-02-12 | 2459 | JMH | Redrawn; printing info updated | | | | |

| | | |
|---|--------------------|----------|
| Material & Treatment Copper Tube Tin Plated | Drawing # | REV |
| | 6406FV-Info | A |
| | Sheet 1 | Of 1 |