

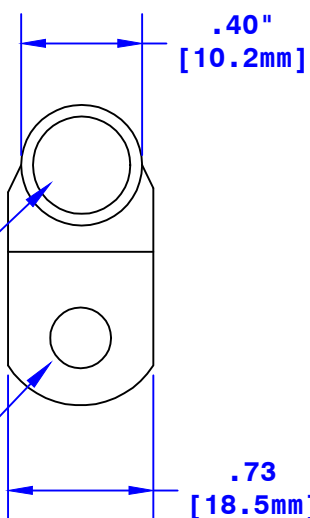
Quick Cable Reserves The Right to Alter Product Types, Their Technical Data, Dimensions, Style And Accessories Without Prior Notification.

Printed Crimp Information

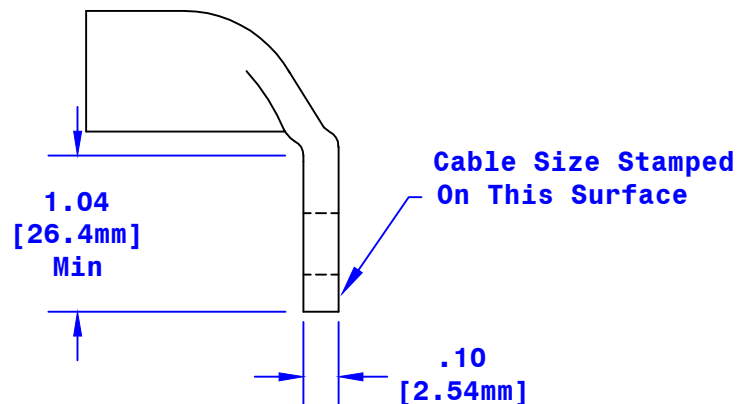


ID Sized For 4 Ga
[19mm²] Stranded Cable
3/4" [19mm] Min Depth

Hole Sized For 3/8" [M10] Stud



Dia May Vary Due to Manufacturing Process



Property of QUICKCABLE 3700 Quick Drive Franksville, WI 53126 U.S.A. www.quickcable.com	TITLE	4 Ga [19mm ²] 90° 3/8" [M10] Hole
	PART #	6404FL
Confidential and Proprietary Information		
Material & Treatment Copper Tube Tin Plated	Drawing #	6404FL-Info
	REV	B
Sheet 1 of 1		

Rev	Date	ECN#	By	Description	Drawn By Jim H	Date 06-23-05	Checked By Mike E	Scale None
Redrawn; printing info updated					Tolerances, unless otherwise noted Dimensions are reference only			