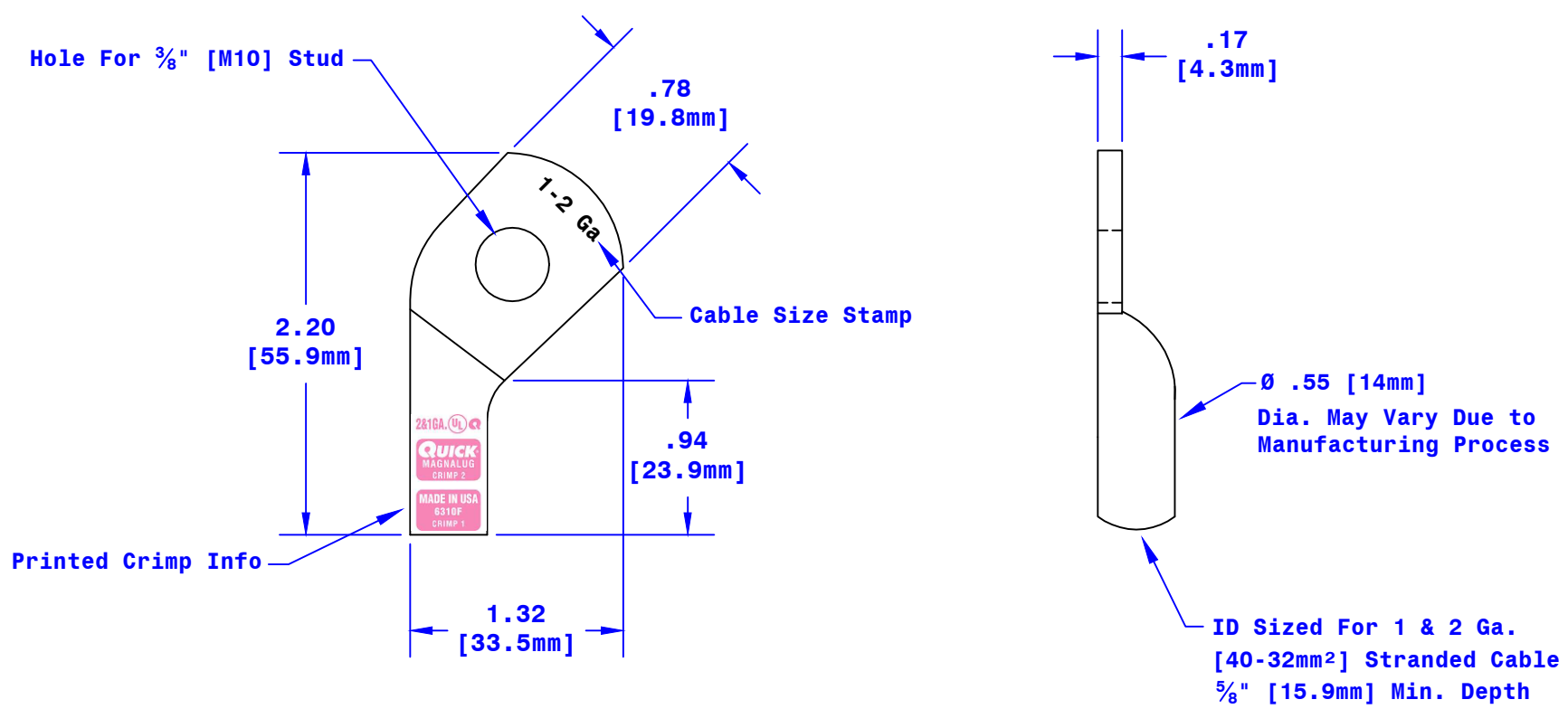


Quick Cable Reserves The Right to Alter Product Types, Their Technical Data, Dimensions, Style And Accessories Without Prior Notification.



Property of QUICKCABLE 3700 Quick Drive Franksville, WI 53126 U.S.A. www.quickcable.com	TITLE
	1 & 2 Ga. [40-32mm ²] Right Elbow
	PART #
	6310F

Confidential and Proprietary Information

Rev	Date	ECN#	By	Description
C	01-22-15	3161	MRE	Update Print Info
B	02-21-12	2459	JMH	Redrawn; printing info updated

Drawn By	Date	Checked By	Scale
Jim H	04-17-07	Mike E	None
Tolerances, unless otherwise noted			
Dimensions are reference only			

Material & Treatment	Drawing #	REV
Copper Tube Tin Plated	6310F-Info	C
Sheet 1 of 1		