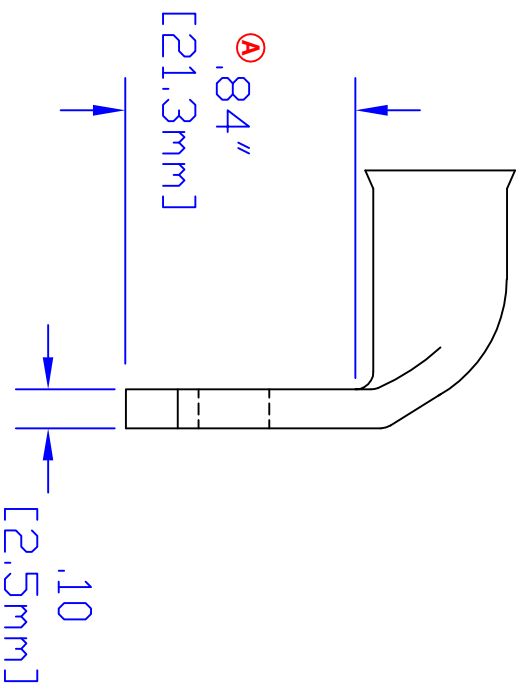
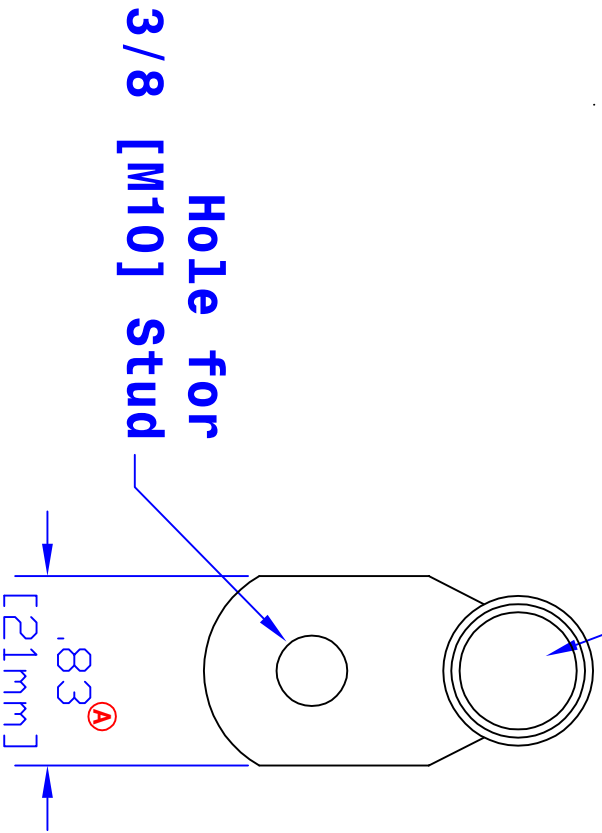


**ID sized for 2/0 ga
[62mm²] cable**



Rev	Date	ECN#	By	Description
B	8-17-09	1991	JMH	Updated Dimensions.
A	3-18-04	718	JMH	Change width and length dim.

Drawn By	Date	Checked By	Scale
Jim H 7-24-03		Paul	None
Tolerances, unless otherwise noted All dimensions are ref only			

Property of QUICK CABLE 3700 Quick Dr., Franksville WI		TITLE 2/0 ga [62mm ² 90° 3/8 [M10]
Material & Treatment 100% Copper Tin plated		PART # 5956FL
Drawing # 5956FL-INFO		REV B
Sheet 1	of 1	