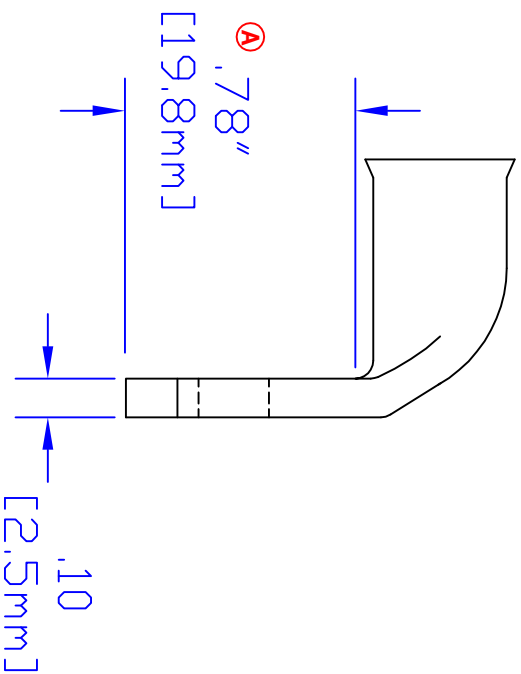
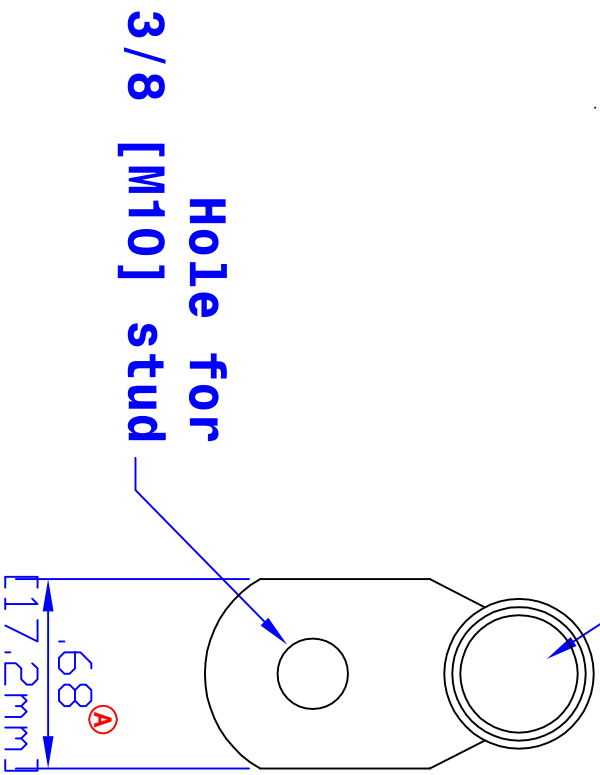


**ID sized for
1 ga [40mm²] cable**



Rev	Date	ECN#	By	Description
B	8-17-09	1991	JMH	Updated Dimensions.
A	3-18-04	718	JMH	Change width and length dim.

Drawn By	Date	Checked By	Scale
Jim H	7-24-03	Paul	None
Tolerances, unless otherwise noted All dimensions are ref only			

Property of QUICK CABLE 3700 Quick Dr., Franksville WI		TITLE
Material & Treatment 100% Copper Tin plated		1 ga [40mm²] 90° 3/8 [M10]
Drawing # 5954FL-INFO		PART # 5954FL
Sheet 1 of 1		REV B