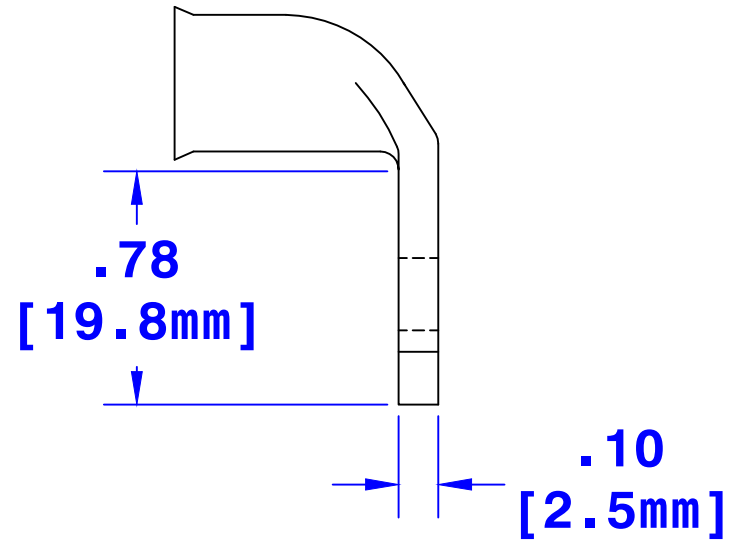
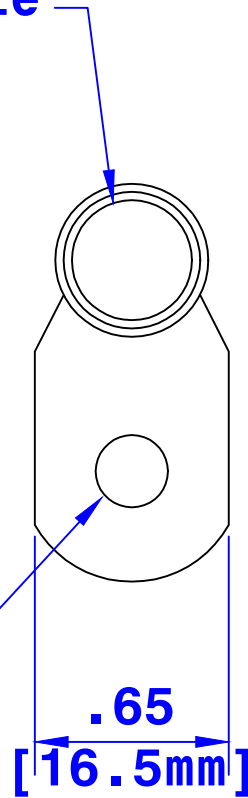


ID sized for  
1 ga [40mm<sup>2</sup>] cable

Hole for  
5/16 [M8] stud



Property of <b>QUICK CABLE</b> 3700 Quick Dr. Franksville WI	TITLE 1 ga [40mm <sup>2</sup> ] 90° 5/16 [M8]	
	PART # 5954EL	
Material & Treatment 100% Copper Tin plated	Drawing #	REV
	5954EL-INFO	A
Sheet 1 of 1		

Drawn By	Date	Checked By	Scale
Jim H	7-24-03	Paul	
Tolerances, unless otherwise noted			
All dimensions are ref only			
Rev	Date	By	Description
A	8-13-09	BS	ECN 1991 Update Dimensions