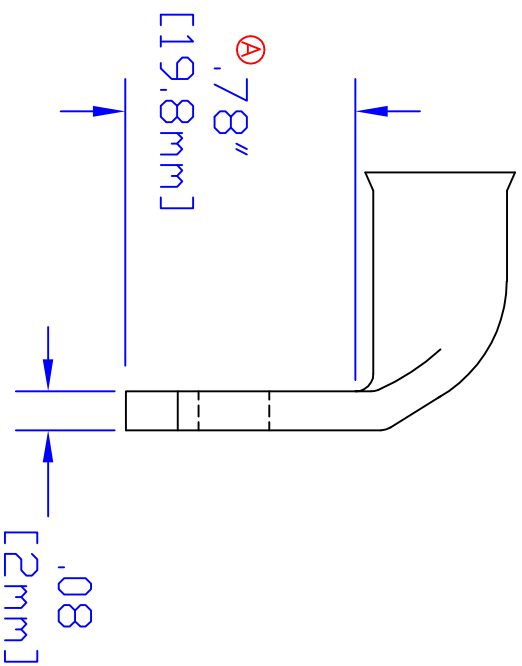
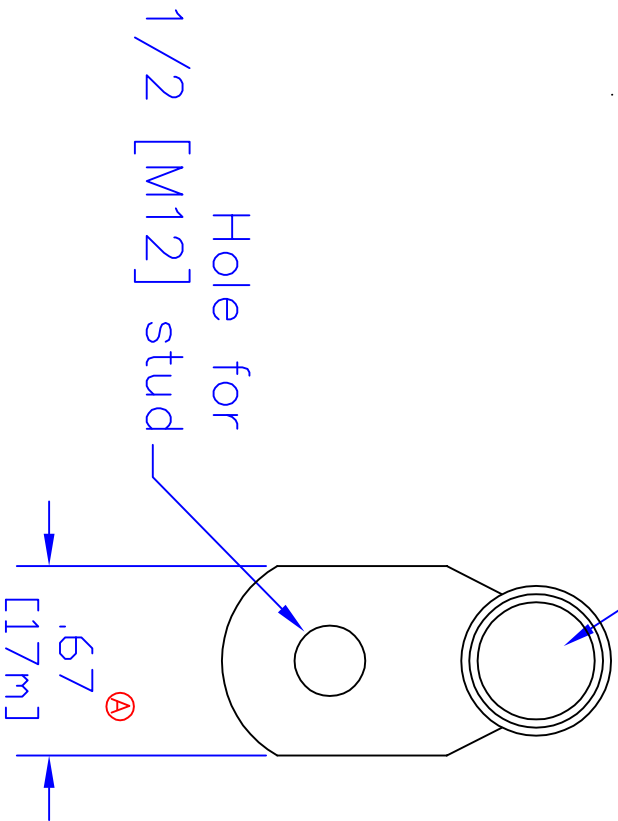


ID sized for
2 ga [32mm²] cable



Rev	Date	ECN#	By	Description
B	8-13-09	1991	BS	Update All Dimensions
A	3-18-04	718	JMH	Change width and length dim.

Drawn By	Date	Checked By	Scale
Jim H	7-24-03	PAUL	None
Tolerances, unless otherwise noted All dimensions are ref only			

Property of QUICK CABLE 3700 Quick Dr. Frankville WI		TITLE
Material & Treatment 100% Copper Tin plated		2 ga [32mm ²] 90° 1/2 [M12]
PART # 5953HL		Drawing # 5953HL-INFO
REV B		Sheet 1 of 1