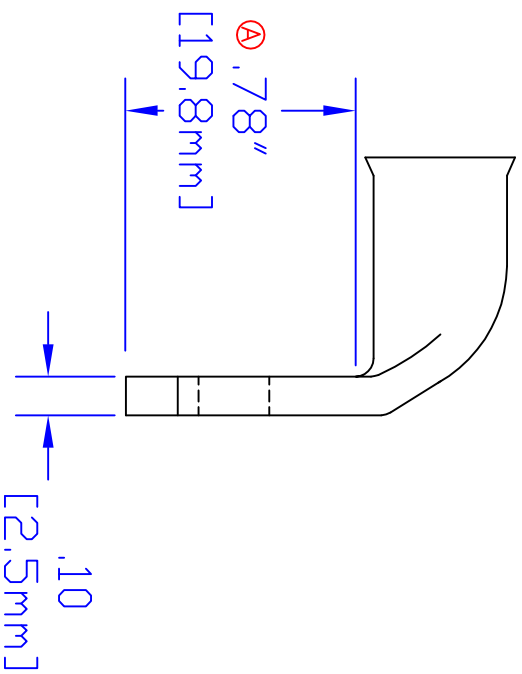
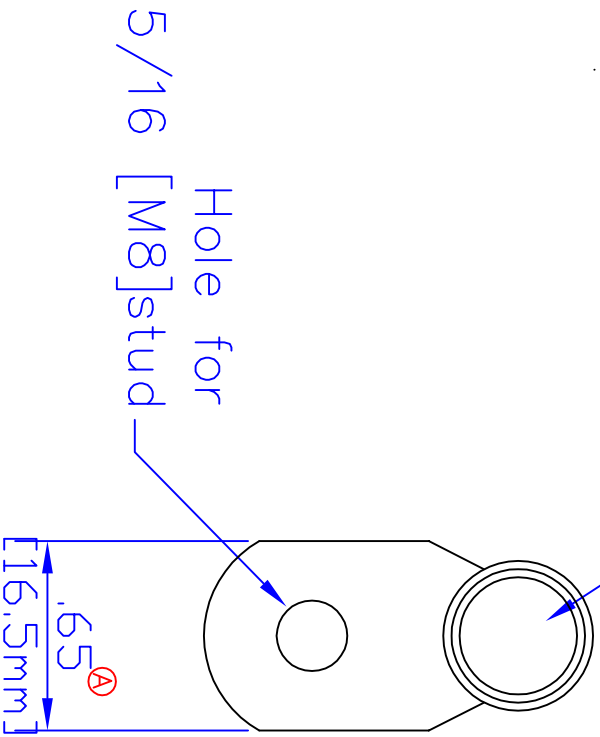


ID sized for
2 ga [32mm²] cable



C	3-27-23	4731	RP	DWG # WAS 5953DL-INFO - 5/16" WAS 1/4"
B	8-13-09	1991	BS	Update All Dimensions
A	3-18-04	718	JMH	Change width and length dim.
Rev	DATE	ECN#	BY	DESCRIPTION

Drawn By	Date	Checked By	Scale
Jim H	7-24-03	PAU	None
Tolerances, unless otherwise noted			
All dimensions are ref only			

Property of		TITLE
QUICK CABLE		2 ga [32mm ²] 90° 5/16 [M8]
3700 Quick Dr. Franksville WI		PART #
Material & Treatment		5953EL
100% Copper		Drawing #
Tin plated		5953EL-INFO
Sheet	1 of	REV
1	1	C