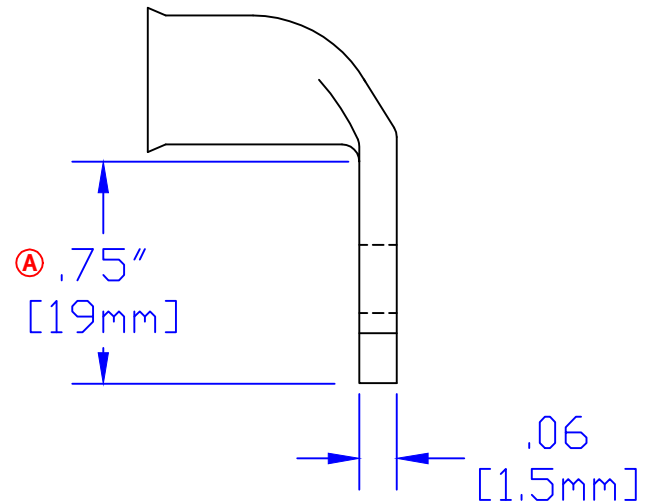
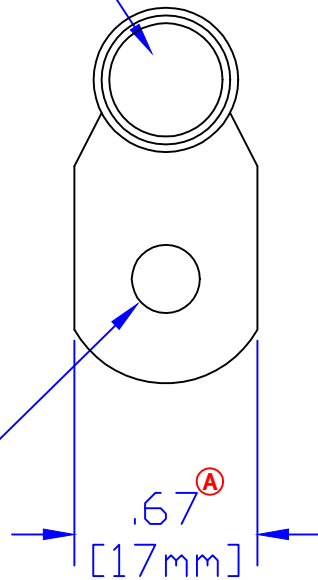


ID sized for
4 ga [19mm²] cable

Hole for
1/2 [M12] stud



| | | |
|--|-----------|--|
| Property of QUICK CABLE 3700 Quick Dr. Franksville WI | TITLE | 4 ga [19mm ²] 90° 1/2 [M12] |
| | PART # | 5952HL |
| Material & Treatment 100% Copper Tin plated | Drawing # | 5952HL-INFO |
| | Sheet | 1 of 1 |
| | REV | B |

| Rev | Date | ECN# | By | Description |
|-----|---------|------|-----|------------------------------|
| B | 8-13-09 | 1991 | BS | Update All Dimensions |
| A | 3-18-04 | 718 | JMH | Change width and length dim. |

| | | | |
|------------------------------------|---------|------------|-------|
| Drawn By | Date | Checked By | Scale |
| Jim H | 7-24-03 | Paul | None |
| Tolerances, unless otherwise noted | | | |
| All dimensions are ref only | | | |