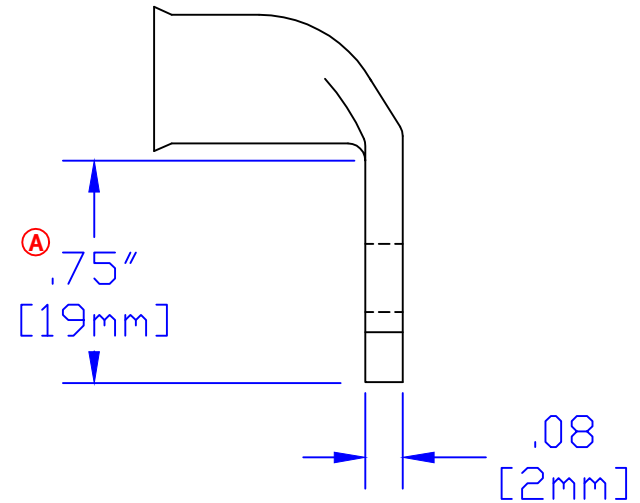
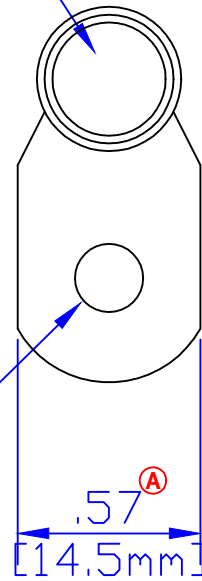


ID sized for
4 ga [19mm²] cable

Hole for
3/8 [M10]stud



Property of QUICK CABLE 3700 Quick Dr. Franksville WI	TITLE	4 ga [19mm ²] 90° 3/8 [M10]
	PART #	5952FL
Material & Treatment 100% Copper Tin plated	Drawing #	5952FL-INFO
	Sheet	1 of 1

Rev	Date	ECN#	By	Description
B	8-13-09	1991	BS	Update All Dimensions
A	3-18-04	718	JMH	Change width and length dim.

Drawn By	Date	Checked By	Scale
Jim H	7-24-03	Paul	None
Tolerances, unless otherwise noted All dimensions are ref only			

REV
B