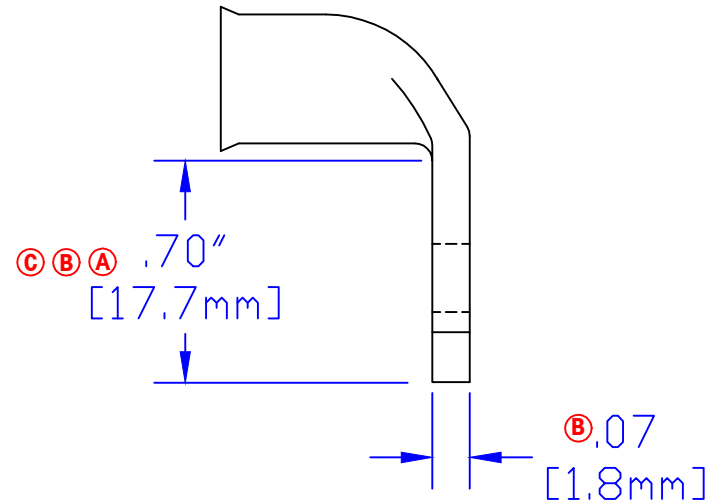
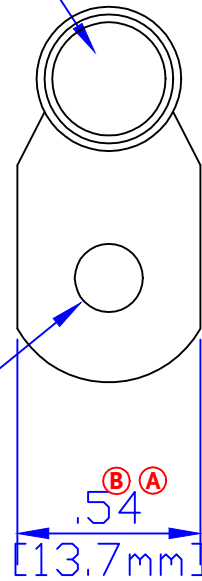


ID sized for  
6 ga [13mm<sup>2</sup>] cable

Hole for  
1/4 [M6] stud



<b>Property of</b> <b>QUICK CABLE</b> 3700 Quick Dr. Franksville WI	<b>TITLE</b> 6 ga [13mm <sup>2</sup> ] 90° 1/4 [M6]	
	<b>PART #</b> 5951DL	
	<b>Drawing #</b> 5951DL-INFO	<b>REV</b> <b>C</b>
<b>Material &amp; Treatment</b> 100% Copper Tin plated		<b>Sheet</b> 1 <b>Of</b> 1

Rev	Date	ECN#	By	Description
C	8-28-18	3853	MRE	Update length Dimension
B	8-13-09	1991	BS	Update All Dimensions
A	3-18-04	718	JMH	Change width and length dim.

<b>Drawn By</b> Jim H	<b>Date</b> 7-24-03	<b>Checked By</b> Paul	<b>Scale</b> None
Tolerances, unless otherwise noted <b>All dimensions are ref only</b>			