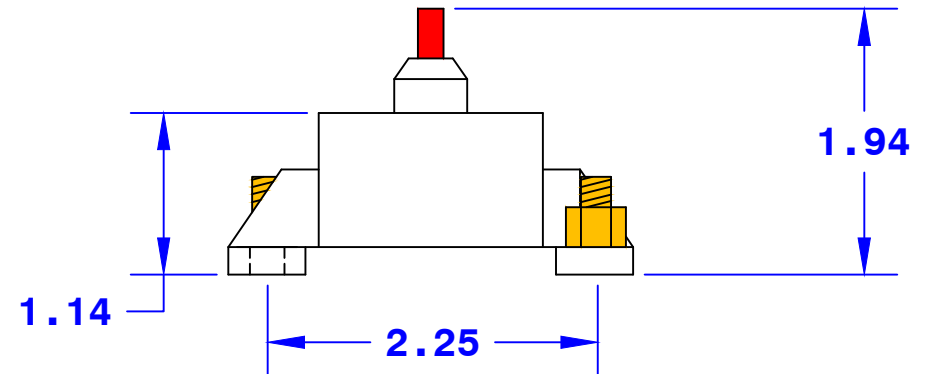
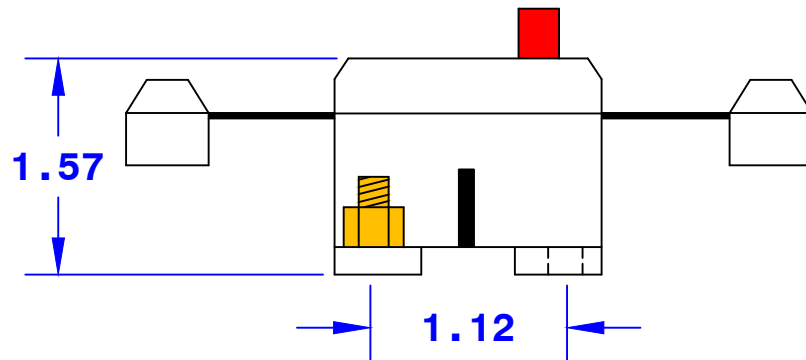


Applications:
Typically used in auxilliary and accessory circuits - trucks, busses, RV's, and marine applications. Others might include battery chargers and DC audio systems.



NOTE: UL approved for 150A, 32VDC
Interrupt rating of 3000A @ 30VDC
Tested to SAE J1625, SAE J1171
Waterproof, manual reset design
Operating Temperature is -32°C to 92°C
Housing is thermoset plastic, UL rated 94V0
RoHS compliant

Property of QUICK CABLE 3700 Quick Drive Franksville, WI 53126 U.S.A. www.quickcable.com	TITLE Circuit Breaker, 150 Amp
	PART # 509418

Confidential and Proprietary Information

Drawn By Jim H	Date 09-08-11	Checked By Mike E	Scale None
Tolerances, unless otherwise noted			
Dimensions are reference only			

Material & Treatment	Drawing # 509418-Info	REV A
	Sheet 1 of 1	

Rev	Date	ECN#	By	Description
A	07-20-23	4776	RIK	ADDED "WATERPROOF" TEXT TO PRODUCT.