

The Quick Cable System includes everything you need to build or repair your heavy duty electrical circuit



Connectors

- Over 51 different styles straights, elbows, flags etc.
- Positive, negative & universal
- 10 cable sizes from 8 gauge to 250 MCM
- Clamps & lugs, copper & lead
- Color-coded to match cable & crimp tool
- Crimp, compression, & solder connectors



Cable

- Battery & welding cable
- Red & black insulation
- Ten sizes from 8 gauge to 250 MCM
- Color-coded to match connectors & crimp tool



Protective Products

- Complete battery care chemical program
- Battery spill kits & absorbers
- Personal protective equipment
- Heat shrink tube
- Terminal protectors
- Loom
- Protective washers



Accessories & Fasteners

- Fasteners
- Stainless steel & color-coded fasteners
- StrongBox battery boxes
- Adapters & conversions
- QuickHold battery hold-downs
- Booster pack / Inverters
- Booster cables



Tools

- Cable cutters & strippers
- Crimp tools
- Heat guns
- Battery maintenance tools

QuickStrip LS™

LINEAR CABLE STRIPPER



Instructions • Safety • Maintenance

QUICKCABLE®
Your Best Connection

3700 Quick Drive, Franksville, Wisconsin, 53126-0509 U.S.A.
Phone 800-558-8667 Fax 800-733-8611
Email sales@quickcable.com

6395 Kestral Road, Mississauga, Ontario, L5T 1Z5 Canada
Phone 905-362-1606 Fax 905-362-1614
Email cdnsales@quickcable.com

www.quickcable.com

QUICKCABLE®

Dependable Battery & Electrical Connectors, Cables,
Tools, Protective Products & Accessories

www.quickcable.com

Safety



- 1) Wear safety glasses when working with this and other machinery
- 2) Wear safety gloves when appropriate
- 3) Never burn insulation from wire and cable. The fumes are toxic and will harm you and the environment

WARNING! KEEP FINGERS AWAY FROM SHARP BLADE
DO NOT PUT FINGERS INSIDE GUARD

Maintenance

Cutting Blade Replacement

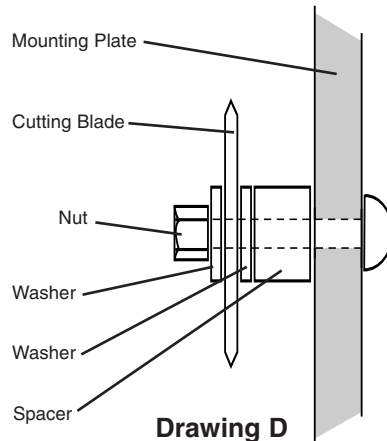
The cutting blade is very sharp. Use great care when replacing it.

1. Use a 1/2" wrench to remove the cutting blade assembly. See Drawings A and D
2. Dispose of used blade carefully
3. Install the new blade and lubricate with a general purpose grease or light oil. Reassemble the cutting blade assembly according to Drawing D.

General Maintenance

This tool has been factory lubricated with a general purpose bearing grease. As with all mechanical tools, you should periodically lubricate with a general purpose grease or light oil all moving parts such as the Cutting Blade, Cable Guide and the Adjustment Knob mechanism.

Cutting Blade Assembly



Drawing D

Parts List

Description	Part No.
QuickStrip LS (Requires Cable Guides, order below)	420201-001
Cable Guides	
Cable Guide 8 - 6 Ga.	420221-001
Cable Guide 4 - 1/0 Ga.	420222-001
Cable Guide 1/0 - 250 MCM	420223-001
Cable Guide (set of three) 8 thru 250 MCM	420230-001
Cutter Blades	
Cutter Blade	420241-001
Cutter Blade (set of three)	420241-003

Instructions

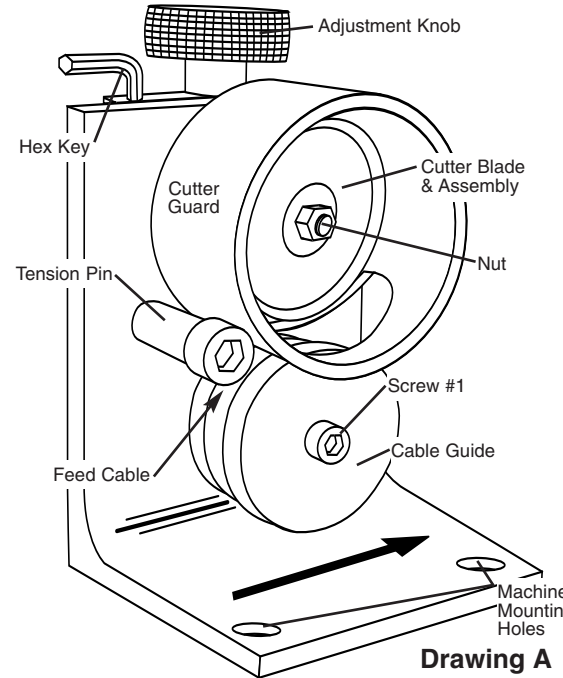
Use on braided copper wire and cable only, insulated with general purpose soft plastic or rubber insulation. Do not use on steel cable, wire rope, etc.

SET UP INSTRUCTIONS

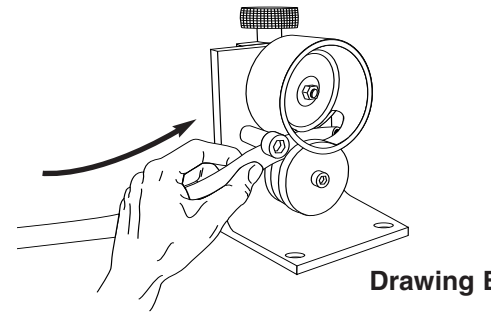
Mount the cable stripper securely to a stable work bench. Two mounting holes, sized for 3/8"/10mm bolts, are located on the base of the stripper (See Drawing A)

OPERATING INSTRUCTIONS

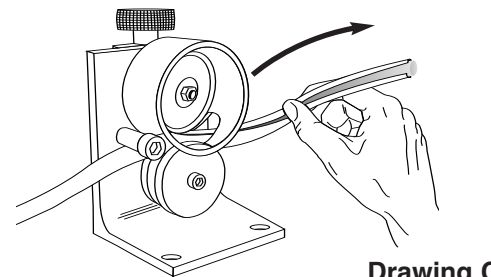
- 1) Select the proper Cable Guide for the size of cable you are stripping. See Parts List.
- 2) Attach the Cable Guide to the QuickStrip LS with the socket head screw #1. Use a 5/32" hex key.
- 3) Feed the cable into the stripper from left to right, under the Tension Pin and between the Cutting Blade and Cable Guide. (See Drawing B)
- 4) Raise or lower the Cable Guide so that the cutting Blade penetrates the insulation to the cable strands. Turn the Adjustment Knob clockwise to raise the Cable Guide, and turn counterclockwise (anticlockwise) to lower the Cable Guide. (See Drawing C)
- 5) Push the cable under the Cutting Blade, then grip the cable and pull. The blade should cut through the insulation, which can then be stripped off the copper conductor.
- 6) Proper adjustment of the Cable Guide is essential. If the insulation is not completely cut, raise the Cable Guide so that it cuts through the insulation completely. If it is difficult to pull the cable through the stripper, the cause may be that the blade is cutting too deeply into the copper. In this case, lower the Cable Guide.



Drawing A



Drawing B



Drawing C